

META SQUARE Single-lever mixer Pull-down with spray function - Brushed Champagne (22kt Gold)

META SQUARE

33 870 861



- 240mm projection
- pivotable spout 360°
- Optional swivel limiter available with swivel limiter set 12 823 970 90
- laminar and spray flow
- height of mixer 386 mm
- height up to laminar flow regulator 183 mm
- hole diameter 35 mm
- 2 x pressure hose with 3/8" cap nut
- 1800 mm metal shower hose
- sprayface with anti-scaling system
- max. flow 5.7 l/min at 3 bar flow pressure
- lead-free
- This product can help a building meet the requirements of Green Building Rating Systems, e.g. LEED®, BREEAM®, DGNB

Intrinsic protection against back flow.

Push button locks into spray mode when pressed. To switch back to laminar flow the water must be turned off.

	Brushed Champagne (22kt Gold)	33 870 861-46 0010
	Chrome	33 870 861-00 0010
	Brushed Platinum	33 870 861-06 0010
	Platinum	33 870 861-08 0010
	Durabrand (23kt Gold)	33 870 861-09 0010
	Dark Chrome	33 870 861-19 0010
	Brushed Durabrand (23kt Gold)	33 870 861-28 0010
	Matte Black	33 870 861-33 0010
	Champagne (22kt Gold)	33 870 861-47 0010
	Brushed Chrome	33 870 861-93 0010
	Brushed Dark Platinum	33 870 861-99 0010

Recommended miscellaneous



Swivel limitation set - 12 823 970 90

Recommended miscellaneous



Dispenser without rosette - 82 424 970-46
Brushed Champagne (22kt Gold)

Recommended miscellaneous



AIR SWITCH Control button - 10 713 970-46
Brushed Champagne (22kt Gold)



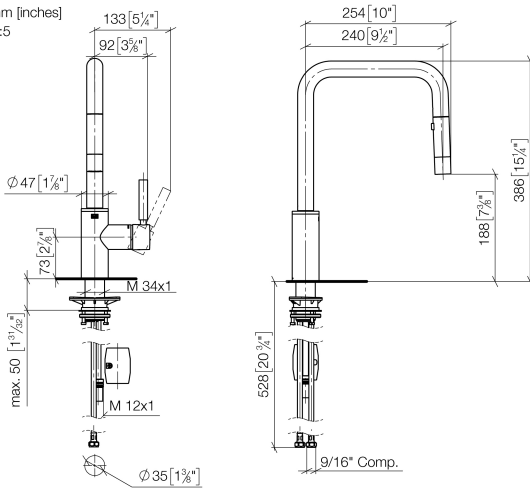
META SQUARE Single-lever mixer Pull-down with spray function - Brushed Champagne (22kt Gold)

META SQUARE

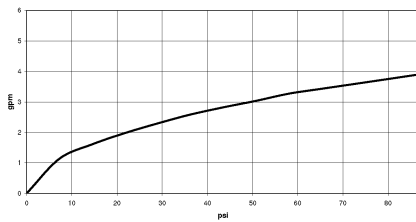
33 870 861

mm [inches]

1:5



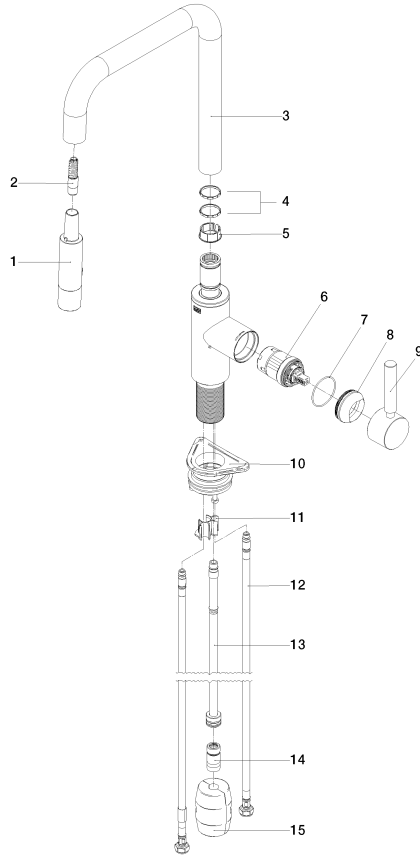
Flow rate chart



Codes & Standards

California Energy
Commission
(CEC)

33 870 861



Spare parts list

No.	Item Number	Name	Quantity used	Delivery time
1	90 12 11 148 00-46	shower	1	-
Spare part can no longer be ordered, please order the replacement item				
2	04 30 02 120 00-85	hose	1	30
3	90 28 22 308 00-46	spout	1	-
Spare part can no longer be ordered, please order the replacement item				
4	09 28 10 160 90	ring	2	2
5	09 18 40 186 90	sleeve	1	2
6	90 15 05 064 05 90	cartridge	1	2
7	09 14 10 190 90	seal	1	2
8	09 28 30 030-46	cover	1	60
9	90 20 66 027 00-46	handle	1	30
10	04 30 11 040 00 90	fixing set	1	2
11	09 20 93 056 90	insert	1	2
12	04 30 04 103 00 90	hose	2	2
13	04 28 20 067 00 90	pipe	1	2
14	90 24 03 253 01 90	adaptor	1	2
15	04 21 50 010 00 90	accessories	1	2