

**TARA ULTRA Single-lever mixer Pull-down with spray function - Brushed Platinum**

TARA ULTRA

33 870 875



- 240mm projection
- pivotable spout 360°
- Optional swivel limiter available with swivel limiter set 12 823 970 90
- laminar and spray flow
- height of mixer 500 mm
- height up to laminar flow regulator 240 mm
- hole diameter 35 mm
- 2 x pressure hose with 3/8" cap nut
- 1800 mm metal shower hose
- sprayface with anti-scaling system
- max. flow 5.7 l/min at 3 bar flow pressure
- lead-free
- This product can help a building meet the requirements of Green Building Rating Systems, e.g. LEED®, BREEAM®, DGNB

Intrinsic protection against back flow.

Push button locks into spray mode when pressed. To switch back to laminar flow the water must be turned off.

	Brushed Platinum	33 870 875-06 0010
	Chrome	33 870 875-00 0010
	Platinum	33 870 875-08 0010
	Durabrace (23kt Gold)	33 870 875-09 0010
	Dark Chrome	33 870 875-19 0010
	Brushed Durabrace (23kt Gold)	33 870 875-28 0010
	Matte Black	33 870 875-33 0010
	Brushed Champagne (22kt Gold)	33 870 875-46 0010
	Champagne (22kt Gold)	33 870 875-47 0010
	Brushed Chrome	33 870 875-93 0010
	Brushed Dark Platinum	33 870 875-99 0010

**Recommended miscellaneous**

**Swivel limitation set -**

12 823 970 90



**Recommended miscellaneous**

**AIR SWITCH Control button -  
Brushed Platinum**

10 713 970-06



**Recommended miscellaneous**

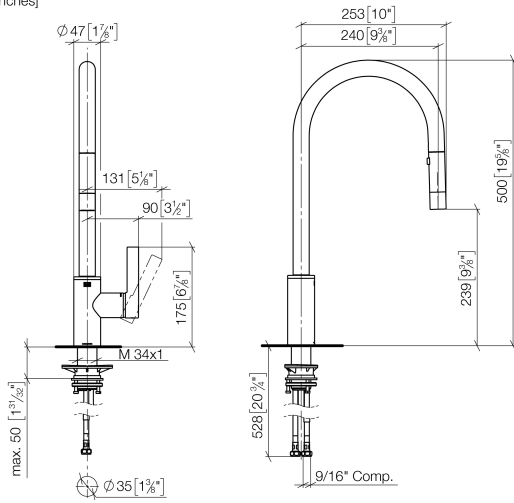
**Dispenser without rosette -  
Brushed Platinum**

82 424 970-06



33 870 875

mm [inches]



**Flow rate chart**



**Codes & Standards**

ADA

ASME  
A112.18.1/CSA  
B125.1

California Energy  
Commission  
(CEC)

NSF/ANSI 372

NSF/ANSI/CAN  
61



TARA ULTRA Single-lever mixer Pull-down with spray function - Brushed  
Platinum

TARA ULTRA

---

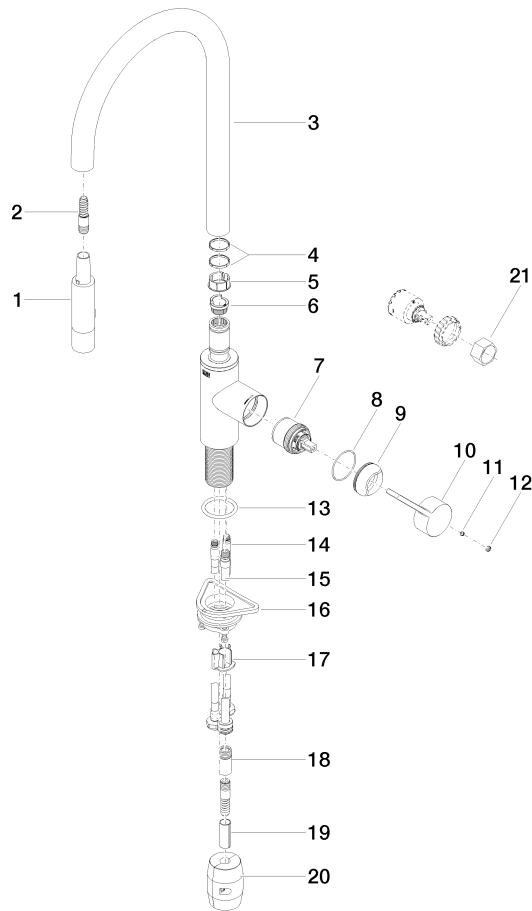
33 870 875

Certificates

---

IAPMO\_N-4976 (2). IAPMO\_4976 (3). IAPMO\_6397 (1).

33 870 875



**Spare parts list**

No.	Item Number	Name	Quantity used	Delivery time
1	90 12 11 148 00-06	shower	1	10
2	04 30 02 120 00-85	hose	1	30
3	90 28 22 304 00-06	spout	1	10
4	09 28 10 160 90	ring	2	2
5	09 18 40 186 90	sleeve	1	2
6	09 30 11 203 90	ring	1	2
7	90 15 05 064 05 90	cartridge	1	2
8	09 14 10 190 90	seal	1	2
9	09 28 30 030-06	cover	1	10
10	09 20 87 020-06	handle	1	10
11	90 31 11 063 00 90	pin	1	2
12	90 31 20 087 00-06	plug	1	10
13	09 14 10 036 90	seal	1	2
14	04 30 04 103 00 90	hose	2	2
15	04 28 20 067 00 90	pipe	1	2
16	04 30 11 040 00 90	fixing set	1	2
17	09 20 93 056 90	insert	1	2
18	90 24 03 253 01 90	adaptor	1	2
19	09 30 03 038 90	hose	1	2
20	04 21 50 010 00 90	accessories	1	2
21	90 30 09 031 00 90	key	1	2