

33 870 875



- 240mm projection
- pivotable spout 360°
- Optional swivel limiter available with swivel limiter set 12 823 970 90
- laminar and spray flow
- height of mixer 500 mm
- height up to laminar flow regulator 240 mm
- hole diameter 35 mm
- 2 x pressure hose with 3/8" cap nut
- 1800 mm metal shower hose
- sprayface with anti-scaling system
- max. flow 5.7 l/min at 3 bar flow pressure
- lead-free
- This product can help a building meet the requirements of Green Building Rating Systems, e.g. LEED®, BREEAM®, DGNB

Intrinsic protection against back flow.

Push button locks into spray mode when pressed. To switch back to laminar flow the water must be turned off.

	Dark Chrome	33 870 875-19 0010
	Chrome	33 870 875-00 0010
	Brushed Platinum	33 870 875-06 0010
	Platinum	33 870 875-08 0010
	Durabrand (23kt Gold)	33 870 875-09 0010
	Brushed Durabrand (23kt Gold)	33 870 875-28 0010
	Matte Black	33 870 875-33 0010
	Brushed Champagne (22kt Gold)	33 870 875-46 0010
	Champagne (22kt Gold)	33 870 875-47 0010
	Brushed Chrome	33 870 875-93 0010
	Brushed Dark Platinum	33 870 875-99 0010

Recommended miscellaneous

	Swivel limitation set -	12 823 970 90
--	--------------------------------	---------------

Recommended miscellaneous

	Dispenser without rosette - Chrome	82 424 970-00
--	---	---------------

Recommended miscellaneous

	AIR SWITCH Control button - Dark Chrome	10 713 970-19
--	--	---------------

Recommended miscellaneous

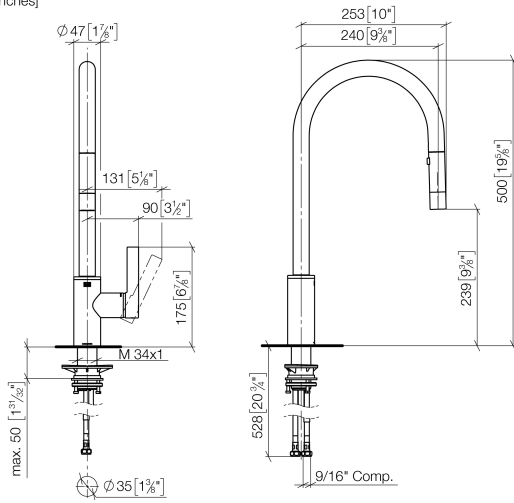
	AIR SWITCH Control button - Chrome	10 713 970-00
--	---	---------------

Recommended miscellaneous

	Dispenser without rosette - Dark Chrome	82 424 970-19
--	--	---------------

33 870 875

mm [inches]



Flow rate chart



Codes & Standards

ADA

ASME
A112.18.1/CSA
B125.1

California Energy
Commission
(CEC)

NSF/ANSI 372

NSF/ANSI/CAN
61



TARA ULTRA Single-lever mixer Pull-down with spray function - Dark Chrome

TARA ULTRA

33 870 875

Certificates

IAPMO_N-4976 (2). IAPMO_6397 (1).

33 870 875

