

33 870 888 Product version from 2/1/2023



- 240mm projection
- pivotable spout 360°
- Optional swivel limiter available with swivel limiter set 12 823 970 90
- laminar and spray flow
- height of mixer 509 mm
- height up to laminar flow regulator 248 mm
- hole diameter 35 mm
- 2 x pressure hose with 3/8" cap nut
- 1800 mm metal shower hose
- sprayface with anti-scaling system
- max. flow 5.7 l/min at 3 bar flow pressure
- lead-free
- Flow modes can be changed while the water is running
- This product can help a building meet the requirements of Green Building Rating Systems, e.g. LEED®, BREEAM®, DGNB

Intrinsic protection against back flow.

Push button locks into spray mode when pressed. To switch back to laminar flow the water must be turned off.

	Brushed Bronze	33 870 888-42 0010
	Chrome	33 870 888-00 0010
	Brushed Platinum	33 870 888-06 0010
	Platinum	33 870 888-08 0010
	Durabronze (23kt Gold)	33 870 888-09 0010
	Dark Chrome	33 870 888-19 0010
	Brushed Durabronze (23kt Gold)	33 870 888-28 0010
	Matte Black	33 870 888-33 0010
	Brushed Champagne (22kt Gold)	33 870 888-46 0010
	Champagne (22kt Gold)	33 870 888-47 0010
	Brushed Chrome	33 870 888-93 0010
	Brushed Dark Platinum	33 870 888-99 0010

Recommended miscellaneous

	Swivel limitation set -	12 823 970 90
---	--------------------------------	---------------

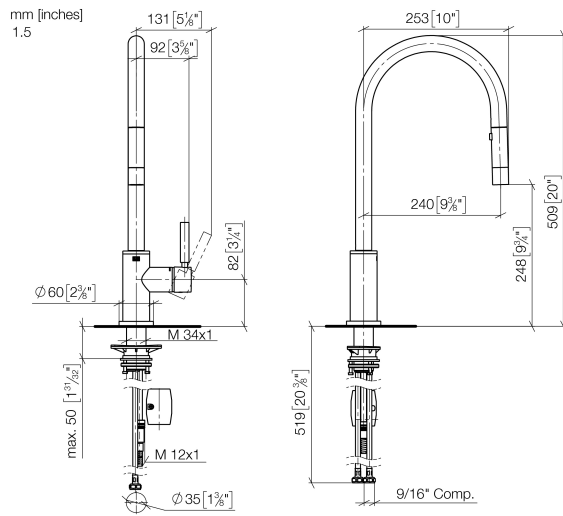
Recommended miscellaneous

	AIR SWITCH Control button - Brushed Bronze	10 713 970-42
---	---	---------------

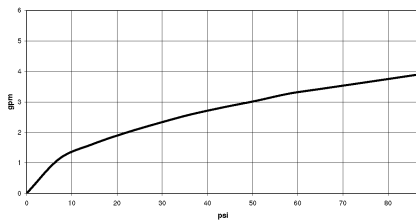
Recommended miscellaneous

	Dispenser with rosette - Brushed Bronze	82 444 970-42
---	--	---------------

33 870 888 Product version from 2/1/2023



Flow rate chart



Codes & Standards

California Energy
Commission
(CEC)

NSF372

NSF61



TARA Single-lever mixer Pull-down with spray function - Brushed Bronze

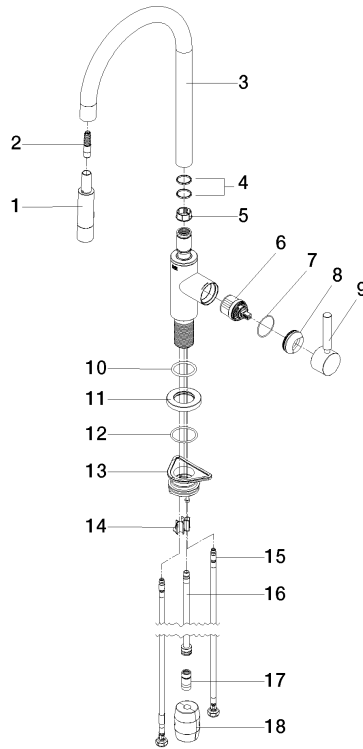
TARA

33 870 888 Product version from 2/1/2023

Certificates

IAPMO_6397

IAPMO_N-4976



Spare parts list

No.	Item Number	Name	Quantity used	Delivery time
1	90 12 11 148 00-42	shower	1	30
2	04 30 02 120 00-85	hose	1	30
3	90 28 22 304 00-42	spout	1	30
4	09 28 10 160 90	ring	2	2
5	09 18 40 186 90	sleeve	1	2
6	90 15 05 064 05 90	cartridge	1	2
7	09 14 10 190 90	seal	1	2
8	09 28 30 030-42	cover	1	60
9	90 20 66 027 00-42	handle	1	30
10	09 14 10 036 90	seal	1	2
11	90 27 22 047 00-42	rosette	1	30
12	09 14 10 050 90	seal	1	2
13	04 30 11 040 00 90	fixing set	1	2
14	09 20 93 056 90	insert	1	2
15	04 30 04 103 00 90	hose	2	2
16	04 28 20 067 00 90	pipe	1	2
17	90 24 03 253 01 90	adaptor	1	2
18	04 21 50 010 00 90	accessories	1	2