

**ENO Single-lever mixer Pull-out with spray function - Brushed Champagne (22kt Gold)**

ENO

33 875 760



- 225mm projection
- pivotable spout 130°
- laminar and spray flow
- height of mixer 254 mm
- height up to aerator 179 mm
- hole diameter 35 mm
- 2 x pressure hose with 3/8" cap nut
- 1600mm metal shower hose
- max. flow 5.7 l/min at 3 bar flow pressure
- lead-free
- This product can help a building meet the requirements of Green Building Rating Systems, e.g. LEED®, BREEAM®, DGNB

Intrinsic protection against back flow.

Push button locks into spray mode when pressed. To switch back to aerator mode the water must be turned off.

	Brushed Champagne (22kt Gold)	33 875 760-46 0010
	Chrome	33 875 760-00 0010
	Brushed Platinum	33 875 760-06 0010
	Platinum	33 875 760-08 0010
	Dark Chrome	33 875 760-19 0010
	Brushed Durabronze (23kt Gold)	33 875 760-28 0010
	Champagne (22kt Gold)	33 875 760-47 0010
	Brushed Chrome	33 875 760-93 0010
	Brushed Dark Platinum	33 875 760-99 0010

**Recommended miscellaneous**

**Dispenser without rosette -** 82 424 970-46  
**Brushed Champagne (22kt Gold)**



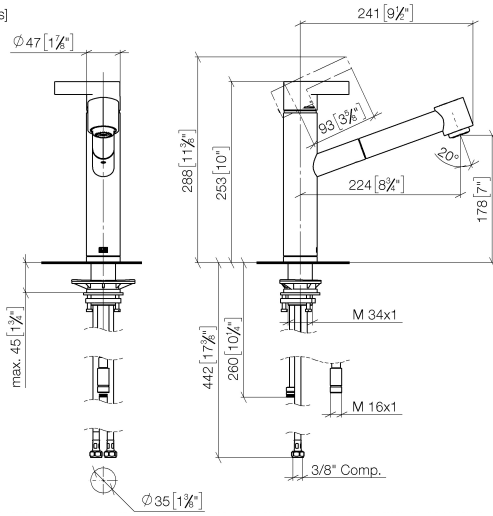
**Recommended miscellaneous**

**AIR SWITCH Control button -** 10 713 970-46  
**Brushed Champagne (22kt Gold)**



33 875 760

mm [inches]



**Flow rate chart**



**Codes & Standards**

ADA

ASME  
A112.18.1/CSA  
B125.1

California Energy  
Commission  
(CEC)

NSF/ANSI 372

NSF/ANSI/CAN  
61



ENO Single-lever mixer Pull-out with spray function - Brushed Champagne  
(22kt Gold)

---

ENO

33 875 760

Certificates

---

IAPMO\_N-4976 (2). IAPMO\_6397 (1).

**ENO Single-lever mixer Pull-out with spray function - Brushed Champagne  
(22kt Gold)**

ENO

33 875 760

Parts for other  
finishes can be found  
here: [Chrome](#)

