

**MADISON Showerpipe with shower thermostat without hand shower - Brushed Platinum**

MADISON

34 459 360









- shower with fixed riser projection 420mm
  - overhead shower: rain flow
  - rain shower Ø 200 mm
  - rain shower with anti-scale system
  - max. rainshower flow 6.8 l/min
  - rotary diverter for fixed-riser shower/hand shower
  - height of fittings up to rain shower (bottom edge) 985mm
  - height of fittings up to top edge of elbow 1160mm
  - two-part push-on rosette Ø 65 mm
  - rosette for shower holder Ø 65mm
  - rosette for wall mounting Ø 60mm
  - gauge 150 mm - 13 mm
  - metal shower hose 1250mm with integrated anti-twist protection
  - 1/2" connection
  - Pipe diameter 20 mm
  - This product reduces water consumption by % (compared to requirements of EPAct '92)
  - This product can contribute to Water Use Reduction in LEED® Green Building Rating
- Intrinsic protection against back flow.**


**NOTE: Hand shower sold separately. Please see hand shower options under the miscellaneous articles section of each series.**

Intrinsic protection against back flow.

NOTE: Hand shower sold separately. Please see hand shower options under the miscellaneous articles section of each series.

	Brushed Platinum	34 459 360-06 0010
	Chrome	34 459 360-00 0010
	Platinum	34 459 360-08 0010
	Durabrace (23kt Gold)	34 459 360-09 0010
	Brushed Durabrace (23kt Gold)	34 459 360-28 0010
	Brushed Dark Platinum	34 459 360-99 0010

**Required miscellaneous**

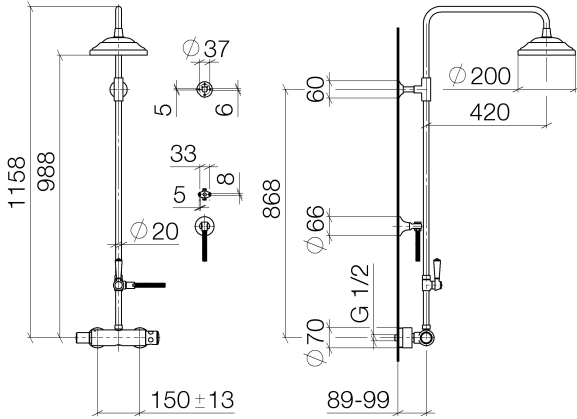
	<b>Concealed adapter -</b> ● please order two adapters (USA only)	35 080 970-90 0010
---	--	-----------------------



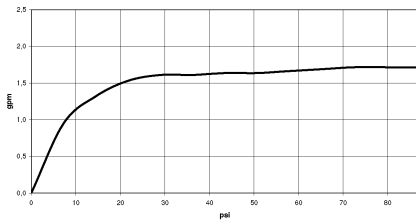
# MADISON Showerpipe with shower thermostat without hand shower - Brushed Platinum

MADISON

34 459 360  
1:10



## Flow rate chart

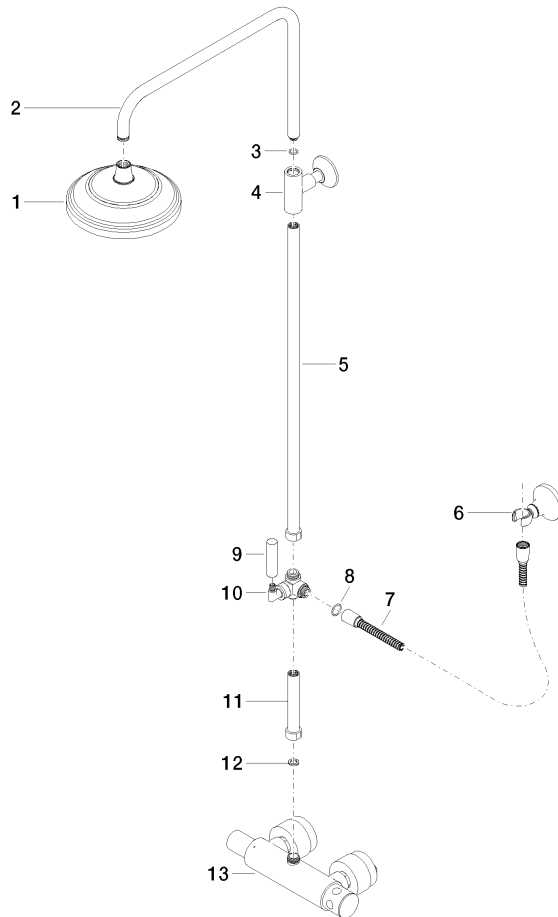


## Codes & Standards

ASME  
A112.18.1/CSA  
B125.1

California Energy  
Commission  
(CEC)

34 459 360





MADISON Showerpipe with shower thermostat without hand shower - Brushed  
Platinum

MADISON

34 459 360

**Spare parts list**

No.	Item Number	Name	Quantity used	Delivery time
	04 12 05 038 30-06	shower	17	10