

**Showerpipe with shower thermostat without hand shower 220 mm - Dark
Chrome**

TARA

34 459 892



Fits: TARA, VAIA, META

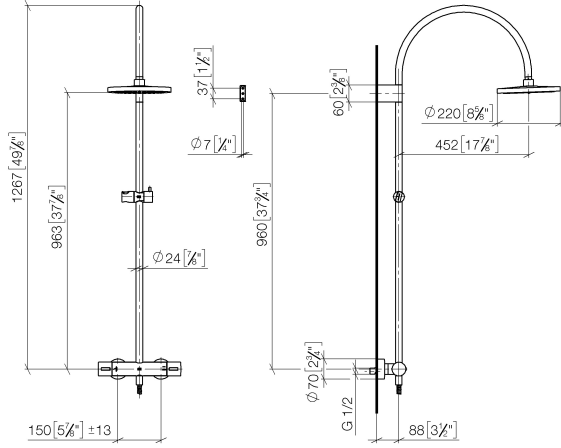
- shower with fixed riser projection 452mm
- overhead shower: rain flow
- rain shower Ø 220 mm
- rain shower with anti-scale system
- max. rainshower flow 6.8 l/min
- rotary diverter with volume control and shut-off function
- slide-on rosettes Ø 70 mm
- height of fittings up to rain shower (bottom edge) 963mm
- height of fittings up to top edge of elbow 1267mm
- gauge 150 mm - 13 mm
- metal shower hose 1750mm with integrated anti-twist protection
- 1/2" connection
- slide bar
- Pipe diameter 23.5 mm
- quick clearing
- This product reduces water consumption by % (compared to requirements of EPAAct '92)
- This product can contribute to Water Use Reduction in LEED® Green Building Rating

Intrinsic protection against back flow.

NOTE: Hand shower sold separately. Please see hand shower options under the miscellaneous articles section of each series.

	Dark Chrome	34 459 892-19 0010
	Chrome	34 459 892-00 0010
	Brushed Platinum	34 459 892-06 0010
	Platinum	34 459 892-08 0010
	Brushed Light Gold	34 459 892-27 0010
	Brushed Durabronze (23kt Gold)	34 459 892-28 0010
	Matte Black	34 459 892-33 0010
	Brushed Bronze	34 459 892-42 0010
	Brushed Champagne (22kt Gold)	34 459 892-46 0010
	Champagne (22kt Gold)	34 459 892-47 0010
	Brushed Chrome	34 459 892-93 0010
	Brushed Dark Platinum	34 459 892-99 0010

34 459 892
mm [inches]
M 1:10



Flow rate chart



Codes & Standards

ASME A112.18.1/CSA B125.1	California Energy Commission (CEC)
---------------------------------	--

Showerpipe with shower thermostat without hand shower 220 mm - Dark
Chrome

TARA

34 459 892
Parts for other
finishes can be found
here: [Chrome](#)

