

34 459 980



Fits: IMO, MEM, CL.1, CYO

- shower with fixed riser projection 453mm
- overhead shower: rain flow
- rain shower 300 x 240mm
- rain shower with anti-scale system
- max. rainshower flow 6.8 l/min
- Function from: 6 l/min
- rotary diverter with volume control and shut-off function
- slide-on rosettes Ø 70 mm
- height of fittings up to rain shower (bottom edge) 1009mm
- height of fittings up to top edge of elbow 1150mm
- gauge 150 mm - 13 mm
- metal shower hose 1750mm with integrated anti-twist protection
- 1/2" connection
- slide bar
- Pipe diameter 23.5 mm
- quick clearing
- This product reduces water consumption by % (compared to requirements of EPAAct '92)
- This product can contribute to Water Use Reduction in LEED® Green Building Rating

Intrinsic protection against back flow.

Intrinsic protection against back flow.

NOTE: Hand shower sold separately. Please see hand shower options under the miscellaneous articles section of each series.

| | | |
|--|--------------------------------|--------------------|
| | Brushed Platinum | 34 459 980-06 0010 |
| | Chrome | 34 459 980-00 0010 |
| | Platinum | 34 459 980-08 0010 |
| | Dark Chrome | 34 459 980-19 0010 |
| | Brushed Light Gold | 34 459 980-27 0010 |
| | Brushed Durabronze (23kt Gold) | 34 459 980-28 0010 |
| | Matte Black | 34 459 980-33 0010 |
| | Brushed Champagne (22kt Gold) | 34 459 980-46 0010 |
| | Champagne (22kt Gold) | 34 459 980-47 0010 |
| | Brushed Chrome | 34 459 980-93 0010 |
| | Brushed Dark Platinum | 34 459 980-99 0010 |

Required miscellaneous

| | | |
|--|---------------------------------------------------------------------|--------------------|
| | Concealed adapter - •please order two adapters (USA only) | 35 080 970-90 0010 |
|--|---------------------------------------------------------------------|--------------------|

Required miscellaneous

| | | |
|--|------------------------------------------------------------|--------------------|
| | Hand shower FlowReduce - Brushed Platinum | 28 012 979-06 0010 |
|--|------------------------------------------------------------|--------------------|

Required miscellaneous

| | | |
|--|----------------------------------------------------------------|--------------------|
| | SERIES-VARIOUS Hand shower - Brushed Platinum | 28 029 979-06 0010 |
|--|----------------------------------------------------------------|--------------------|

Required miscellaneous

| | | |
|--|----------------------------------------------------------------|--------------------|
| | SERIES-VARIOUS Hand shower - Brushed Platinum | 28 025 979-06 0010 |
|--|----------------------------------------------------------------|--------------------|

Required miscellaneous

| | | |
|--|------------------------------------------------------------|--------------------|
| | Hand shower FlowReduce - Brushed Platinum | 28 016 979-06 0010 |
|--|------------------------------------------------------------|--------------------|

Required miscellaneous

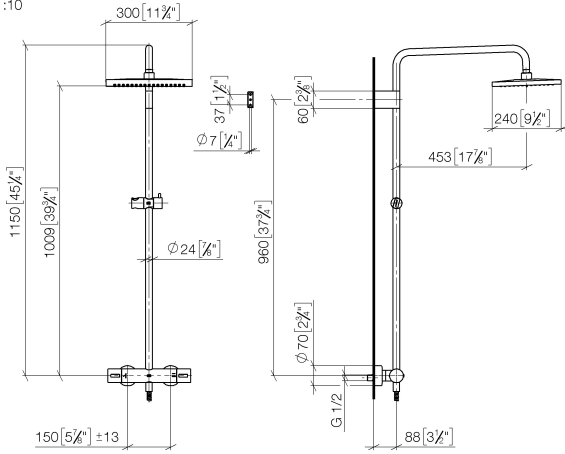
| | | |
|--|------------------------------------------------------------|--------------------|
| | Hand shower FlowReduce - Brushed Platinum | 28 018 979-06 0010 |
|--|------------------------------------------------------------|--------------------|

Required miscellaneous

| | | |
|--|----------------------------------------------------------------|--------------------|
| | SERIES-VARIOUS Hand shower - Brushed Platinum | 28 027 979-06 0010 |
|--|----------------------------------------------------------------|--------------------|

34 459 980

mm [inches]
1:10



Flow rate chart



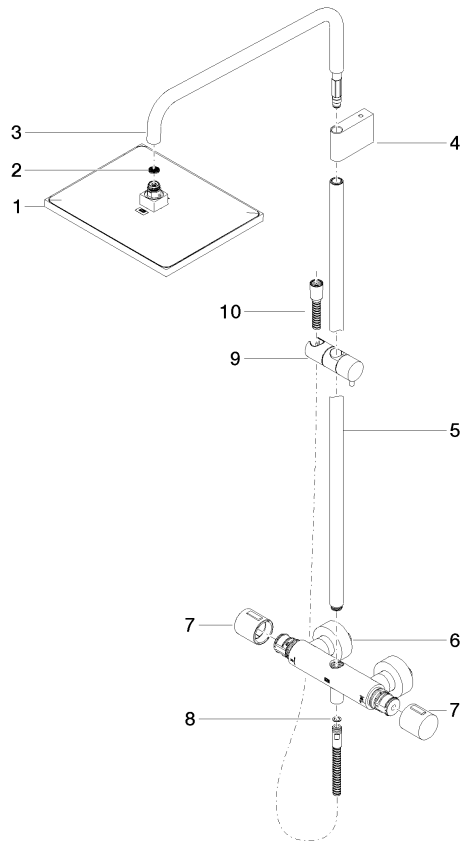
Codes & Standards

ASME
A112.18.1/CSA
B125.1

California Energy
Commission
(CEC)

34 459 980

Product version from 6/1/2024





Showerpipe with shower thermostat without hand shower - Brushed Platinum

IMO

34 459 980

Spare parts list

Product version from 6/1/2024

| No. | Item Number | Name | Quantity used | Delivery time |
|-----|--------------------|--------|---------------|---------------|
| | 04 12 05 063 10-06 | shower | 10 | 10 |