

**Showerpipe with shower thermostat without hand shower - Brushed
Champagne (22kt Gold)**

IMO

34 459 980



Fits: IMO, MEM, CL.1, CYO

- shower with fixed riser projection 453mm
- overhead shower: rain flow
- rain shower 300 x 240mm
- rain shower with anti-scale system
- max. rainshower flow 6.8 l/min
- Function from: 6 l/min
- rotary diverter with volume control and shut-off function
- slide-on rosettes Ø 70 mm
- height of fittings up to rain shower (bottom edge) 1009mm
- height of fittings up to top edge of elbow 1150mm
- gauge 150 mm - 13 mm
- metal shower hose 1750mm with integrated anti-twist protection
- 1/2" connection
- slide bar
- Pipe diameter 23.5 mm
- quick clearing
- This product reduces water consumption by % (compared to requirements of EPAAct '92)
- This product can contribute to Water Use Reduction in LEED® Green Building Rating

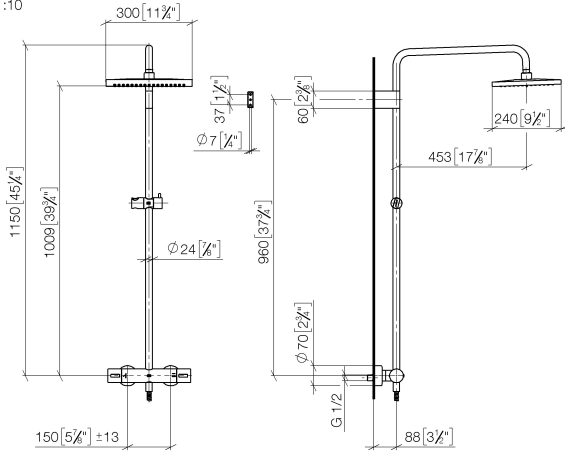
Intrinsic protection against back flow.

NOTE: Hand shower sold separately. Please see hand shower options under the miscellaneous articles section of each series.

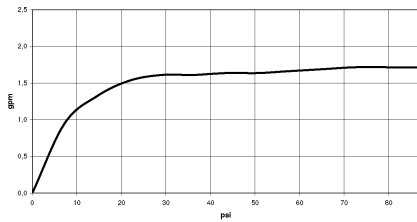
	Brushed Champagne (22kt Gold)	34 459 980-46 0010
	Chrome	34 459 980-00 0010
	Brushed Platinum	34 459 980-06 0010
	Platinum	34 459 980-08 0010
	Dark Chrome	34 459 980-19 0010
	Brushed Light Gold	34 459 980-27 0010
	Brushed Durabrass (23kt Gold)	34 459 980-28 0010
	Matte Black	34 459 980-33 0010
	Champagne (22kt Gold)	34 459 980-47 0010
	Brushed Chrome	34 459 980-93 0010
	Brushed Dark Platinum	34 459 980-99 0010

**Showerpipe with shower thermostat without hand shower - Brushed
Champagne (22kt Gold)**

34 459 980
mm [inches]
1:10



Flow rate chart



Codes & Standards

ASME
A112.18.1/CSA
B125.1

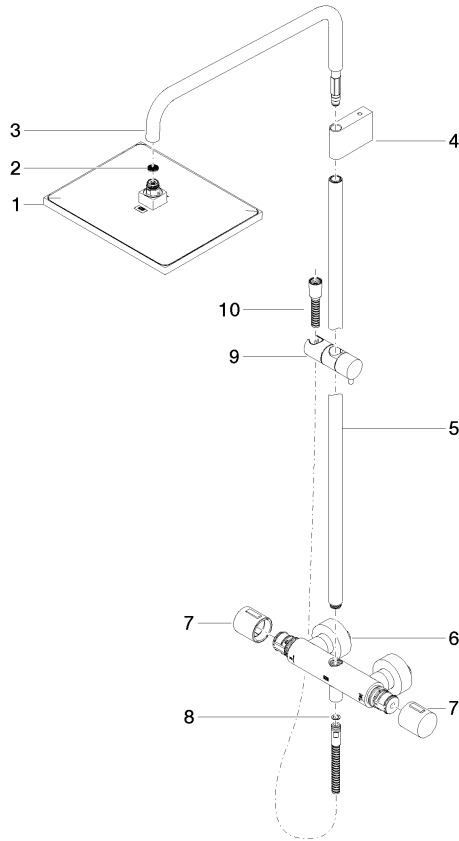
California Energy
Commission
(CEC)

Showerpipe with shower thermostat without hand shower - Brushed Champagne (22kt Gold)

34 459 980

Product version from 6/1/2024

Parts for other
finishes can be found
here: [Chrome](#)





Showerpipe with shower thermostat without hand shower - Brushed
Champagne (22kt Gold)

IMO

34 459 980

Spare parts list

Product version from 6/1/2024

No.	Item Number	Name	Quantity used	Delivery time
	04 12 05 063 10-46	shower	10	30