


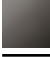

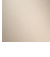



34 460 892



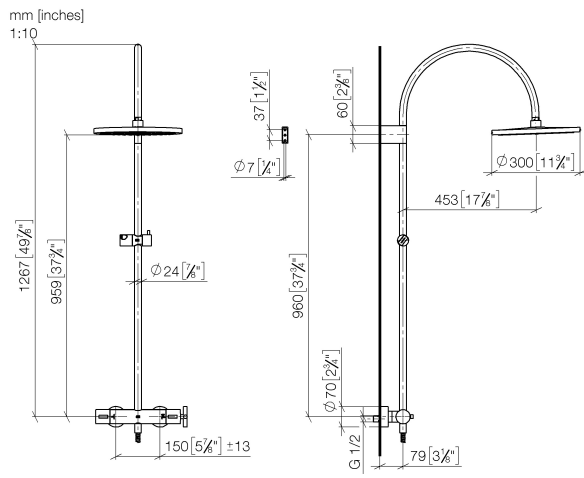
- shower with fixed riser projection 452mm
- overhead shower: rain flow
- rain shower Ø 300 mm
- rain shower with anti-scale system
- max. rainshower flow 6.8 l/min
- Function from: 6.5 l/min
- rotary diverter with volume control and shut-off function
- slide-on rosettes Ø 70 mm
- height of fittings up to rain shower (bottom edge) 964mm
- height of fittings up to top edge of elbow 1267mm
- gauge 150 mm - 13 mm
- metal shower hose 1750mm with integrated anti-twist protection
- 1/2" connection
- slide bar
- Pipe diameter 23.5 mm

This article does not include a hand shower!

Intrinsic protection against back flow.

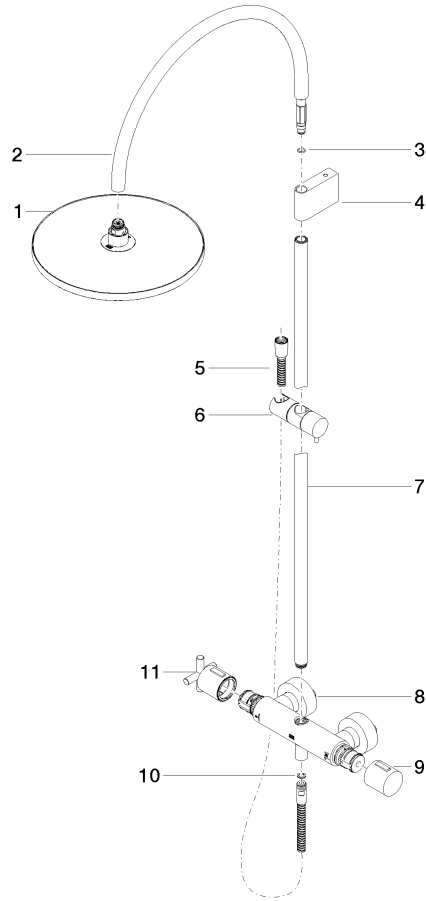
	Platinum	34 460 892-08 0010
	Chrome	34 460 892-00 0010
	Brushed Platinum	34 460 892-06 0010
	Dark Chrome	34 460 892-19 0010
	Brushed Durabronze (23kt Gold)	34 460 892-28 0010
	Matte Black	34 460 892-33 0010
	Brushed Champagne (22kt Gold)	34 460 892-46 0010
	Champagne (22kt Gold)	34 460 892-47 0010
	Brushed Chrome	34 460 892-93 0010
	Brushed Dark Platinum	34 460 892-99 0010

34 460 892



34 460 892

Parts for other finishes can be found here: [Chrome](#)



Spare parts list

No.	Item Number	Name	Quantity used	Delivery time
1	04 12 05 091 10-08	shower	1	40
2	04 28 22 346 00-08	pipe	1	40
3	09 14 10 008 90	seal	1	2
4	90 17 11 150 00-08	holder	1	40
5	28 322 970-08	Metal shower hose 1/2" x 3/8" x 1750 mm - Platinum	1	40
6	12 570 970-08	Slide unit - Platinum	1	40
7	90 28 22 349 00-08	pipe	1	40
8	04 17 01 250 00-08	connection	1	40
9	90 17 33 015 00-08	handle	1	40
10	90 14 20 026 00 90	seal	1	2
11	90 17 33 021 00-08	handle	1	40