

Concealed ceiling installation box for surface-mounted ceiling installation -

35 041 970



- concealed rough parts
- 2x female thread 1/2" connections
- For simultaneous control of the jet types, we recommend the xTool thermostat module
- Not suitable for use in a steam room.



Concealed ceiling installation box for surface-mounted ceiling installation -

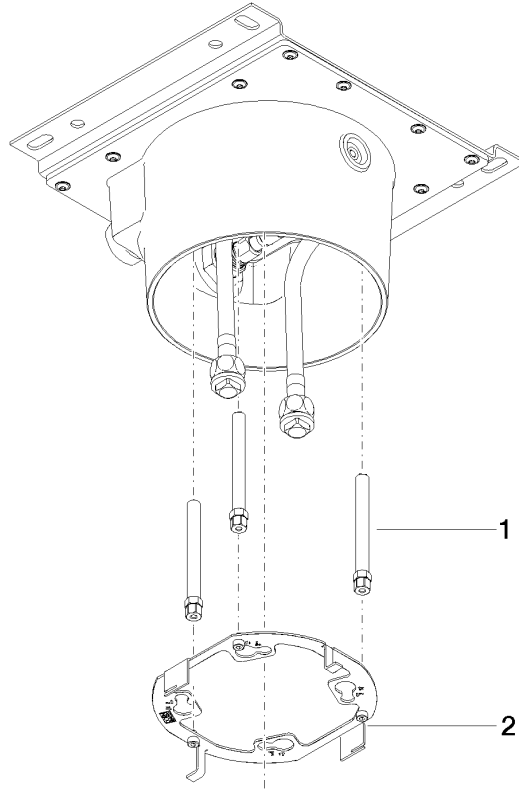
35 041 970

Certificates

IAPMO_4976 (7).

Concealed ceiling installation box for surface-mounted ceiling installation -

35 041 970



Spare parts list

| No. | Item Number | Name | Quantity used | Delivery time |
|-----|--------------------|--------|---------------|---------------|
| 1 | 90 30 30 208 00 90 | screw | 1 | 2 |
| 2 | 90 17 20 239 00 90 | flange | 1 | 2 |