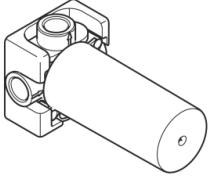


## Concealed two-way diverter -

---

35 124 970

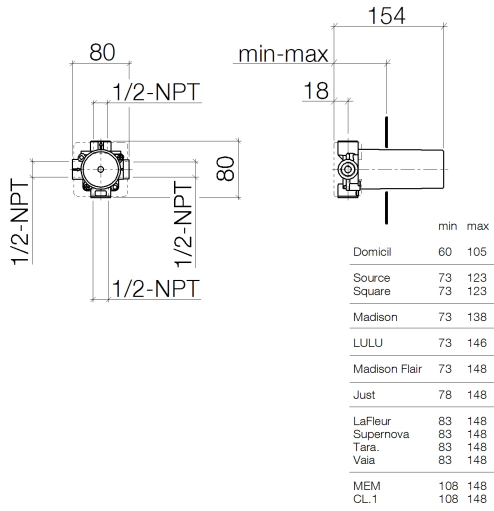


- red brass, lead-free
- 2x female thread 1/2" connections
- 2x female thread 1/2" outlet
- cut-to-length spindle and sleeve
- dust cover
- anti-water packing
- soundproofing

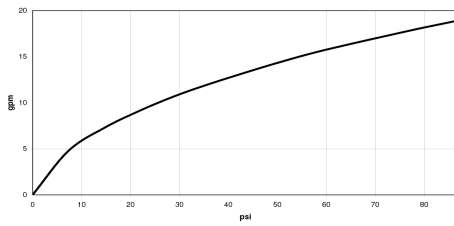


## Concealed two-way diverter -

35 124 970



## Flow rate chart



## Codes & Standards

ASME  
A112.18.1/CSA  
B125.1

California Energy  
Commission  
(CEC)



## Concealed two-way diverter -

---

35 124 970

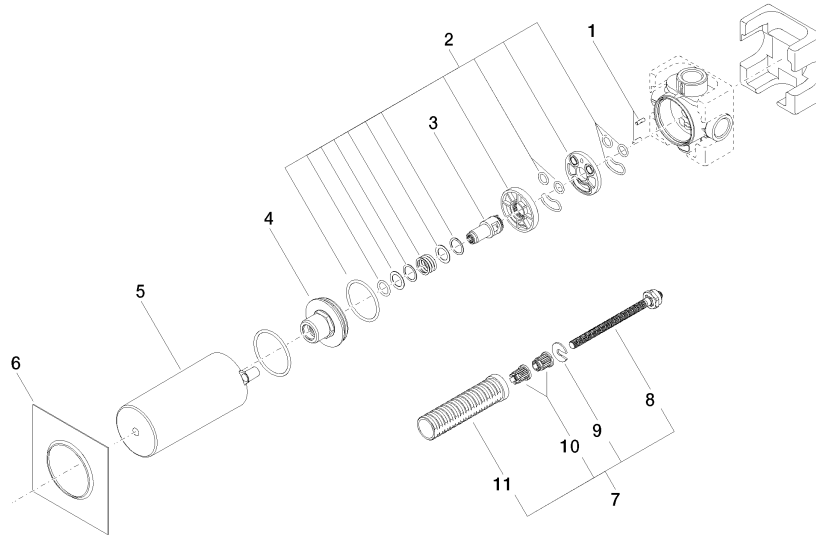
### Certificates

---

IAPMO\_4976 (3).

**Concealed two-way diverter -**

35 124 970



**Spare parts list**

| No. | Item Number        | Name       | Quantity used | Delivery time |
|-----|--------------------|------------|---------------|---------------|
| 1   | 09 31 11 151 90    | pin        | 1             | 2             |
| 2   | 90 30 11 085 00 90 | set        | 1             | 2             |
| 3   | 09 29 06 025 90    | spindle    | 1             | 2             |
| 4   | 09 21 02 124 90    | lid        | 1             | 2             |
| 5   | 09 21 02 125 90    | cap        | 1             | 2             |
| 6   | 09 14 03 109 90    | seal       | 1             | 2             |
| 7   | 90 18 40 077 00 90 | spindle    | 1             | 2             |
| 8   | 04 29 06 105 00 90 | spindle    | 1             | 60            |
| 9   | 09 16 01 026 90    | ring       | 1             | 2             |
| 10  | 90 12 12 002 00 90 | fixing cap | 1             | 2             |
| 11  | 90 18 40 077 01 90 | spindle    | 1             | 2             |