

36 200 661 Product version from 4/1/2022



- rotary diverter
- without rosette
- handle Ø 60mm
- with shut-off function

	Brushed Light Gold	36 200 661-27 0010
	Chrome	36 200 661-00 0010
	Brushed Platinum	36 200 661-06 0010
	Light Gold	36 200 661-26 0010
	Matte Black	36 200 661-33 0010
	Brushed Bronze	36 200 661-42 0010
	Brushed Champagne (22kt Gold)	36 200 661-46 0010
	Champagne (22kt Gold)	36 200 661-47 0010
	Brushed Chrome	36 200 661-93 0010
	Brushed Dark Platinum	36 200 661-99 0010

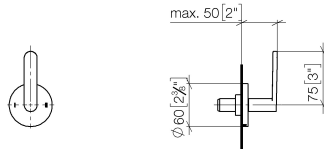
Required miscellaneous



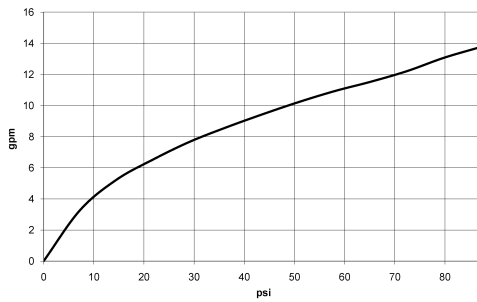
Concealed two-way diverter -	35 202 970-90
•min. recess depth mm	0010
•max. recess depth mm	

36 200 661 Product version from 4/1/2022

mm [inches]

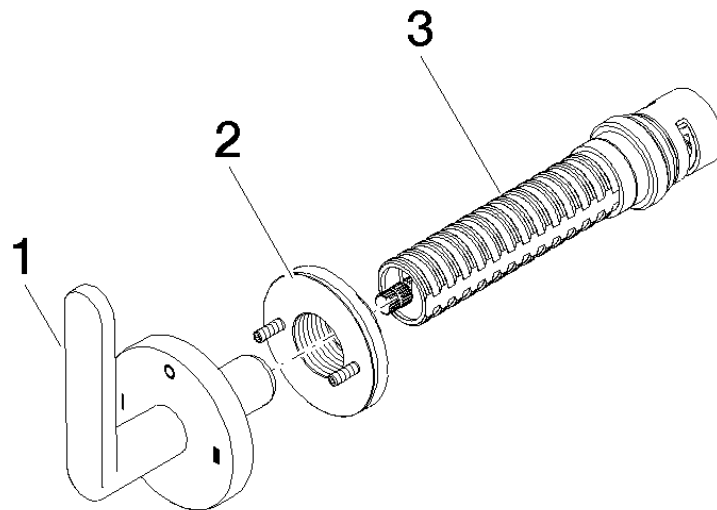


Flow rate chart



Codes & Standards

California Energy
Commission
(CEC)



Spare parts list

No.	Item Number	Name	Quantity used	Delivery time
1	90 20 66 014 01-27	handle	1	30
2	90 21 02 181 00 90	disc	1	2
3	90 90 03 306 10 90	diverter	1	2