

Concealed three-way diverter - Brushed Light Gold

CL.1

36 210 740



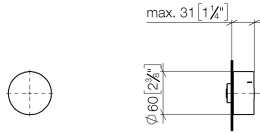
- rotary diverter
- without rosette
- handle Ø 60mm
- with shut-off function

Fits: CL.1, META, CYO

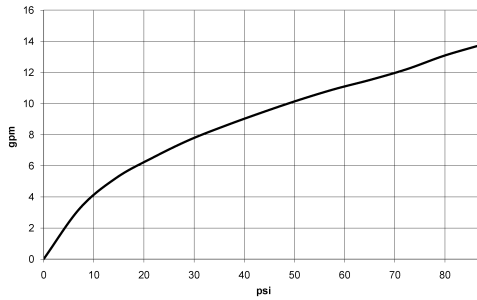
| | | |
|---|--------------------------------|--------------------|
|  | Brushed Light Gold | 36 210 740-27 0010 |
|  | Chrome | 36 210 740-00 0010 |
|  | Brushed Platinum | 36 210 740-06 0010 |
|  | Dark Chrome | 36 210 740-19 0010 |
|  | Light Gold | 36 210 740-26 0010 |
|  | Brushed Durabronze (23kt Gold) | 36 210 740-28 0010 |
|  | Matte Black | 36 210 740-33 0010 |
|  | Brushed Bronze | 36 210 740-42 0010 |
|  | Brushed Champagne (22kt Gold) | 36 210 740-46 0010 |
|  | Champagne (22kt Gold) | 36 210 740-47 0010 |
|  | Brushed Dark Platinum | 36 210 740-99 0010 |

36 210 740

mm [inches]



Flow rate chart

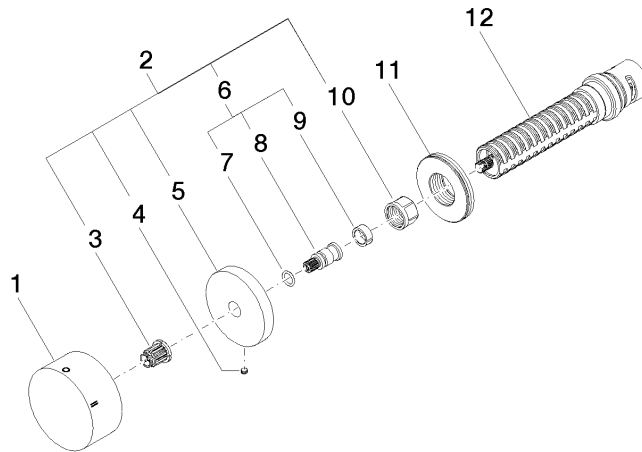


Codes & Standards

California Energy
Commission
(CEC)

36 210 740

Parts for other finishes can be found here: [Chrome](#)



Spare parts list

| No. | Item Number | Name | Quantity used | Delivery time |
|--|--------------------|------------|---------------|---------------|
| 1 | 09 20 74 043-27 | handle | 1 | 60 |
| 2 | 04 27 74 004 00-27 | rosette | 1 | 60 |
| 3 | 90 12 12 002 00 90 | fixing cap | 1 | 2 |
| 4 | 09 31 11 055 90 | pin | 1 | 2 |
| 5 | 09 27 74 004-27 | rosette | 1 | 60 |
| 6 | 04 29 06 020 00-00 | spindle | 1 | 10 |
| 7 | 90 14 10 060 00 90 | seal | 1 | 2 |
| 8 | 09 29 06 020-27 | spindle | 1 | - |
| Spare part can no longer be ordered, please order the replacement item | | | | |
| 9 | 90 14 15 020 03 90 | ring | 1 | 2 |
| 10 | 90 23 30 023 00 90 | nut | 1 | 2 |
| 11 | 09 30 01 107 90 | sleeve | 1 | 2 |
| 12 | 90 90 03 305 10 90 | diverter | 1 | 2 |