

36 425 977



- cover plate Ø 175 mm
- temperature control handle with safety limit stop at 38°C
- hot water temperature limiter, can be preset

	Platinum	36 425 977-08 0010
	Chrome	36 425 977-00 0010
	Brushed Platinum	36 425 977-06 0010
	Durabass (23kt Gold)	36 425 977-09 0010
	Brushed Durabass (23kt Gold)	36 425 977-28 0010
	Brushed Dark Platinum	36 425 977-99 0010

Required miscellaneous



Concealed thermostat for one- and two-way outlets - 35 426 970-90 0010

- max. recess depth 136 mm
- min. recess depth 80 mm

Recommended miscellaneous



xGRID Attachment set for integrating in the dry wall construction - 12 340 970 90

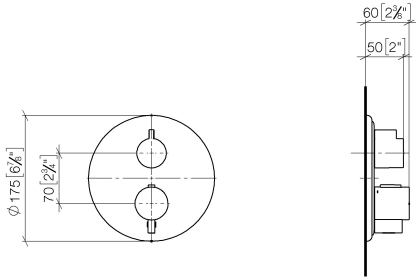
Required miscellaneous



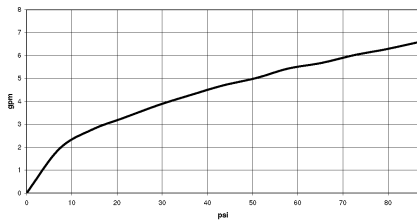
xGRID Installation track 555 mm - 12 360 970 90

36 425 977

mm [inches]



Flow rate chart

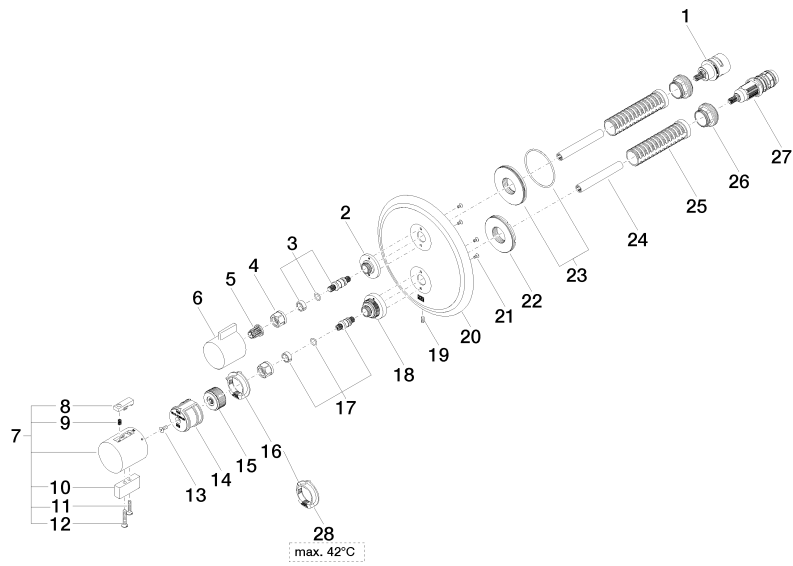


Codes & Standards

ADA

ASME
A112.18.1/CSA
B125.1

36 425 977



36 425 977

Spare parts list

No.	Item Number	Name	Quantity used	Delivery time
1	90 90 03 166 00 90	top	1	2
2	09 12 12 053-08	base	1	40
3	04 29 06 111 01-00	spindle	1	10
4	90 23 30 023 00 90	nut	2	2
5	90 12 12 002 00 90	fixing cap	1	2
6	09 20 67 006-08	handle	1	40
7	04 17 33 006 00-08	handle	1	60
8	90 21 33 011 00-13	handle	1	2
9	90 16 02 027 00 90	spring	1	2
10	09 20 33 006-08	handle	1	40
11	09 30 30 159-08	screw	1	40
12	09 30 30 160-08	screw	1	40
13	90 30 30 124 00 90	screw	1	2
14	90 12 12 052 00 90	base	1	2
15	09 12 12 054 90	base	1	2
16	09 28 10 152 90	regulator	1	60
17	04 29 06 024 01-00	spindle	1	10
18	09 12 12 051-08	base	1	40
19	09 31 11 134 90	pin	1	2
20	09 11 02 307-08	plate	1	60
21	09 30 30 157 90	screw	4	2
22	09 30 01 296 90	disc	1	2
23	90 30 01 190 00 90	disc	1	2
24	90 23 01 124 00 90	sleeve	2	2
25	90 18 40 077 01 90	spindle	2	2
26	09 24 04 257 90	nut	2	2
27	90 15 02 012 00 90	cartridge	1	60
28	09 28 10 151 90	regulator	1	60