

36 503 780



- cover plate 120 x 120 mm
- temperature control handle with safety limit stop at 38°C
- thermostat cartridge

Note: Important! The minimum recess depths make it necessary to have a wall of 2 x 6 crosspieces.

Fits: IMO, MEM, CL.1, CYO

Recommended miscellaneous

Required miscellaneous



**xGRID Attachment set for
integrating in the dry wall
construction -**

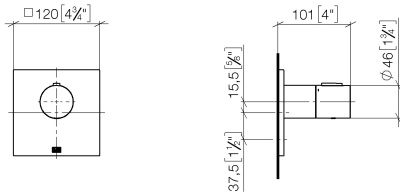
12 340 970 90



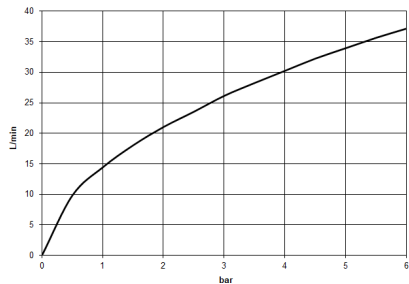
xGRID Installation track 555 mm - 12 360 970 90

36 503 780

mm [inches]



Flow rate chart



3551197090 + 36503xxx-FF + 366x7xxx-FF

Codes & Standards

- ASME
- A112.18.1/CSA
- B125.1



xTOOL Concealed thermostat without volume control 3/4" - Chrome

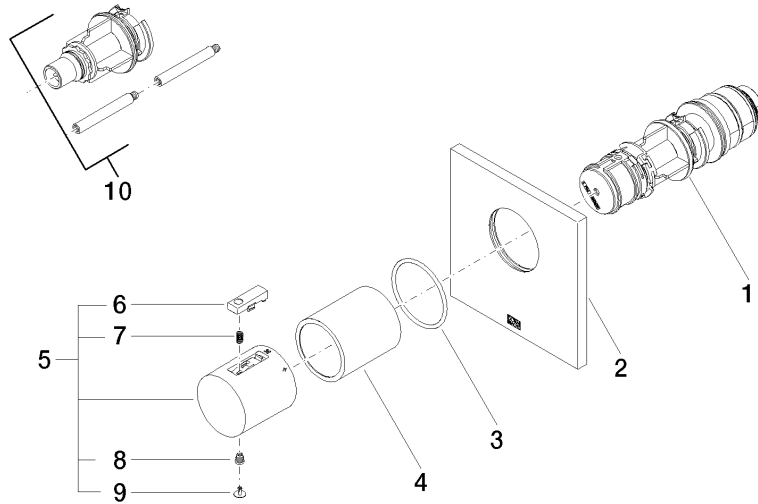
IMO

36 503 780

Certificates

WRAS_2011026.	DVGW_DW- 6512DN0706.	LGA_29930.	LGA_29932.
---------------	-------------------------	------------	------------

36 503 780



Spare parts list

No.	Item Number	Name	Quantity used	Delivery time
1	90 15 02 063 00 90	cartridge	1	2
2	09 11 02 196-00	cover	1	60
3	90 14 10 049 00 90	seal	1	2
4	90 21 02 112 00-00	sleeve	1	10
5	90 17 33 004 00-00	handle	1	10
6	90 21 33 011 00-13	handle	1	2
7	90 16 02 027 00 90	spring	1	2
8	90 30 30 136 00 90	screw	1	2
9	90 31 20 049 00-00	plug	1	10
10	12 178 970 90	Extension 46 mm -	1	2