

WATER FAN horizontal Concealed body spray - Champagne (22kt Gold)

IMO

36 512 979



- forceful flat water jet
- horizontal water jet
- cover plate 240 x 60 mm
- water jet adjustable
- 1/2" connection
- max. flow 6.8 l/min
- This product reduces water consumption by % (compared to requirements of EPAAct '92)
- This product can contribute to Water Use Reduction in LEED® Green Building Rating
- This product can help a building meet the requirements of Green Building Rating Systems, e.g. LEED®, BREEAM®, DGNB

Fits: IMO, LULU, MADISON, MEM, TARA, CL.1, LISSÉ, VAIA, META, CYO

	Champagne (22kt Gold)	36 512 979-47 0010
	Chrome	36 512 979-00 0010
	Brushed Platinum	36 512 979-06 0010
	Platinum	36 512 979-08 0010
	Dark Chrome	36 512 979-19 0010
	Light Gold	36 512 979-26 0010
	Brushed Light Gold	36 512 979-27 0010
	Brushed Durabronze (23kt Gold)	36 512 979-28 0010
	Matte Black	36 512 979-33 0010
	Brushed Bronze	36 512 979-42 0010
	Brushed Champagne (22kt Gold)	36 512 979-46 0010
	Brushed Chrome	36 512 979-93 0010
	Brushed Dark Platinum	36 512 979-99 0010

Required miscellaneous

	Concealed wall installation box -	35 206 970-90
	•max. recess depth 173 mm	0010
	•min. recess depth 100 mm	

Recommended miscellaneous

	xGRID Attachment set for integrating in the dry wall construction -	12 340 970 90
--	--	---------------

Required miscellaneous

	xGRID Installation track 555 mm -	12 360 970 90
--	--	---------------

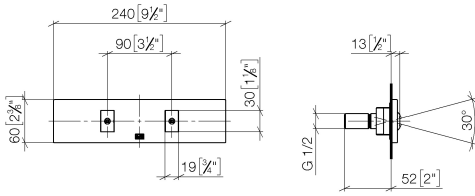


WATER FAN horizontal Concealed body spray - Champagne (22kt Gold)

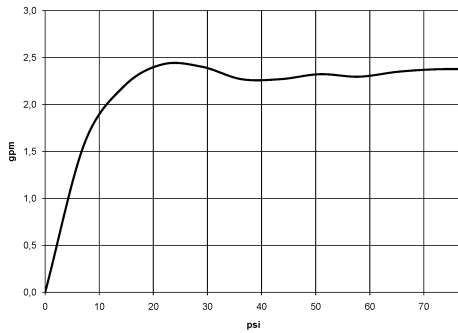
IMO

36 512 979

mm [inches]



Flow rate chart



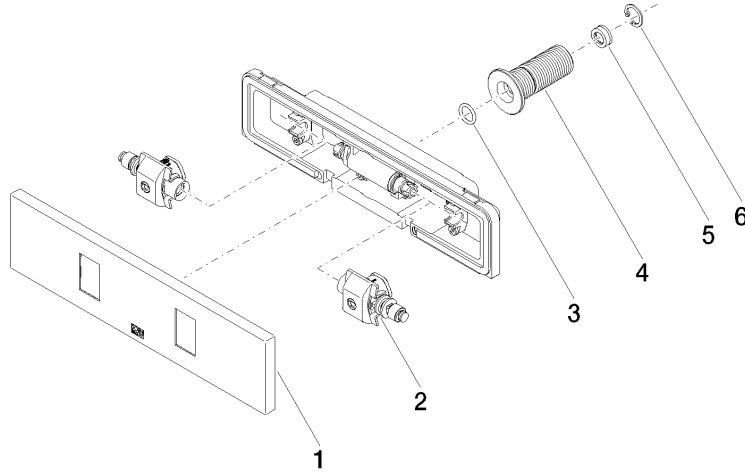
Codes & Standards

ASME
A112.18.1/CSA
B125.1

California Energy
Commission
(CEC)

36 512 979

Product version from 10/1/2023





WATER FAN horizontal Concealed body spray - Champagne (22kt Gold)

IMO

36 512 979

Spare parts list

Product version from 10/1/2023

No.	Item Number	Name	Quantity used	Delivery time
	90 27 99 002 00-47	insert	6	30