

**WATER CURVE Concealed body spray - Platinum**

IMO

36 514 979



- AQUAPRESSURE FLOW, max. flow rate 6.8 l/min (at 3 bar)
- water jet adjustable
- cover plate 120 x 60 mm
- 1/2" connection
- This product reduces water consumption by % (compared to requirements of EPAAct '92)
- This product can contribute to Water Use Reduction in LEED® Green Building Rating
- This product can help a building meet the requirements of Green Building Rating Systems, e.g. LEED®, BREEAM®, DGNB

Fits: IMO, LULU, MADISON, MEM, TARA, CL.1, LISSÉ, VAIA, META, CYO

	Platinum	36 514 979-08 0010
	Chrome	36 514 979-00 0010
	Brushed Platinum	36 514 979-06 0010
	Dark Chrome	36 514 979-19 0010
	Light Gold	36 514 979-26 0010
	Brushed Light Gold	36 514 979-27 0010
	Brushed Durabronze (23kt Gold)	36 514 979-28 0010
	Matte Black	36 514 979-33 0010
	Brushed Bronze	36 514 979-42 0010
	Brushed Champagne (22kt Gold)	36 514 979-46 0010
	Champagne (22kt Gold)	36 514 979-47 0010
	Brushed Chrome	36 514 979-93 0010
	Brushed Dark Platinum	36 514 979-99 0010

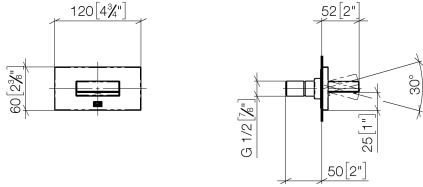
**Required miscellaneous**

**Concealed adapter -** 35 080 970-90 0010

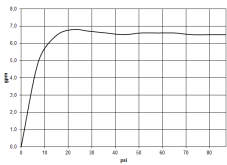


36 514 979

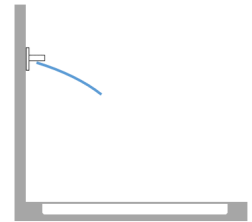
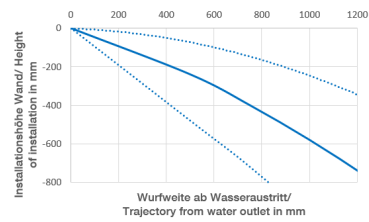
mm [inches]



**Flow rate chart**



**Trajectory diagram**



**Codes & Standards**

ASME A112.18.1

ASME  
A112.18.1/CSA  
B125.1

California Energy  
Commission  
(CEC)

cUPC



## WATER CURVE Concealed body spray - Platinum

---

IMO

36 514 979

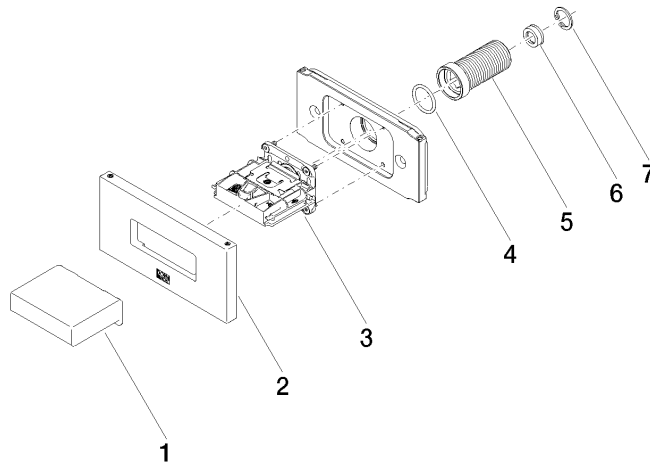
Certificates

---

IAPMO\_4976

36 514 979

Product version from 10/1/2023





# WATER CURVE Concealed body spray - Platinum

IMO

36 514 979

## Spare parts list

### Product version from 10/1/2023

No.	Item Number	Name	Quantity used	Delivery time
	09 17 01 230-08	casing	7	40