

36 517 979



- HORIZONTAL RAIN, max. flow rate 6 l/min (at 3 bar)
- with anti-scale system
- cover plate 240 x 60 mm
- 1/2" connection
- This product can help a building meet the requirements of Green Building Rating Systems, e.g. LEED®, BREEAM®, DGNB
- WRAS 1304001

Fits: IMO, LULU, MADISON, MEM, TARA, CL.1, LISSÉ, VAIA, META, CYO

| | | |
|--------------------------------------------------------------------------------------|--------------------------------|---------------|
|  | Matte Black | 36 517 979-33 |
|  | Chrome | 36 517 979-00 |
|  | Brushed Platinum | 36 517 979-06 |
|  | Platinum | 36 517 979-08 |
|  | Dark Chrome | 36 517 979-19 |
|  | Light Gold | 36 517 979-26 |
|  | Brushed Light Gold | 36 517 979-27 |
|  | Brushed Durabronze (23kt Gold) | 36 517 979-28 |
|  | Brushed Bronze | 36 517 979-42 |
|  | Brushed Champagne (22kt Gold) | 36 517 979-46 |
|  | Champagne (22kt Gold) | 36 517 979-47 |
|  | Brushed Chrome | 36 517 979-93 |
|  | Brushed Dark Platinum | 36 517 979-99 |

Required miscellaneous



Concealed wall installation box - 35 206 970-90
 ● max. recess depth 173 mm 0010
 ● min. recess depth 100 mm

Recommended miscellaneous



xGRID Attachment set for integrating in the dry wall construction - 12 340 970 90

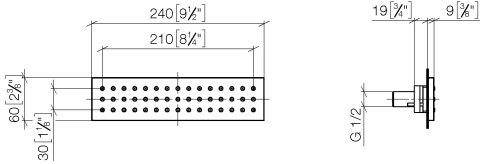
Required miscellaneous



xGRID Installation track 555 mm - 12 360 970 90

36 517 979

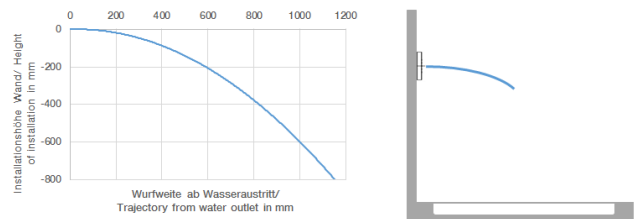
mm [inches]



Flow rate chart



Trajectory diagram



Codes & Standards

ASME
A112.18.1/CSA
B125.1

Scottish Water
Byelaws

California Energy
Commission
(CEC)

UK Water Supply
Regulations

DIN 4109

Ü-Zeichen

ISO 3822



WATER BAR Concealed body spray FlowReduce - Matte Black

IMO

36 517 979

Certificates

LGA_19

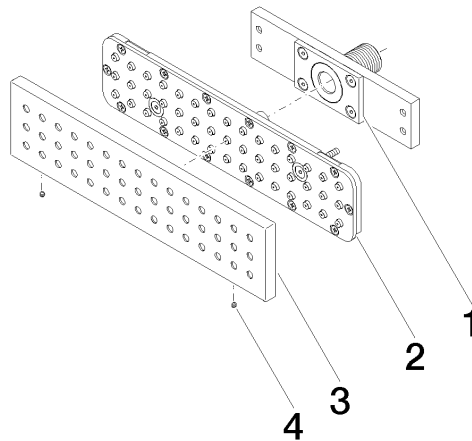
WRAS_1304

36 517 979

Product version up to 5/15/2020

Product version from 5/15/2020 to 5/16/2020

Product version from 5/16/2020





WATER BAR Concealed body spray FlowReduce - Matte Black

IMO

36 517 979

Spare parts list

Product version up to 5/15/2020

Product version from 5/15/2020 to 5/16/2020

Product version from 5/16/2020

| No. | Item Number | Name | Quantity used | Delivery time |
|-----|--------------------|------------|---------------|---------------|
| | 90 11 02 137 00 90 | connection | 4 | 2 |