



LULU Wall valve clockwise closing 1/2" - Chrome


36 607 710



- rosette 78 x 55 mm
- head part with cut-to-length spindle and sleeve
- WRAS

	Chrome	36 607 710-00
	Brushed Platinum	36 607 710-06

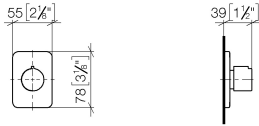
Required miscellaneous

	Wall valve 1/2" -	35 607 970-90
	•max. recess depth mm	0010
	•min. recess depth mm	

LULU Wall valve clockwise closing 1/2" - Chrome

36 607 710

mm [inches]



Codes & Standards

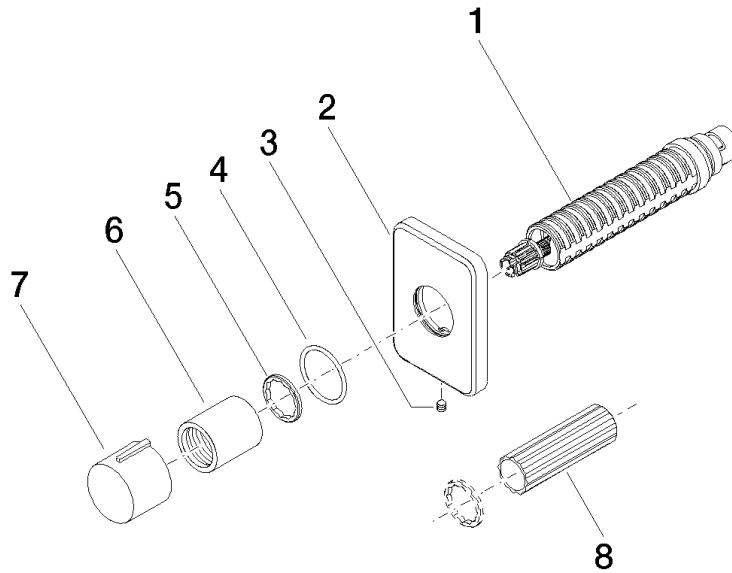
ADA	ASME A112.18.1	ASME A112.18.1/CSA B125.1	cUPC
DIN 4109	EN 1111	EN 200	ISO 3822
Scottish Water Byelaws	UK Water Supply Regulations	Ü-Zeichen	

Certificates

DVGW_DW- 6501DN0	WRAS_2011	LGA_29	WRAS_2010	DVGW_DW- 6512DN0
LGA_29	IAPMO_4976 (

LULU Wall valve clockwise closing 1/2" - Chrome

36 607 710



Spare parts list

No.	Item Number	Name	Quantity used	Delivery time
1	90 90 03 143 00 90	top	1	2
2	09 27 71 029-00	rosette	1	10
3	90 31 11 007 00 90	pin	1	2
4	90 14 10 063 00 90	seal	1	2
5	09 16 01 025 90	ring	1	2
6	09 21 02 070-00	cover	1	10
7	09 20 97 030-00	handle	1	10
8	90 30 09 010 00 90	key	1	2