



Wall valve clockwise closing cold 1/2" - Brushed Durabron (23kt Gold)

CL.1

36 607 741



- without rosette
- handle Ø 60mm
- with cold marking
- head part with cut-to-length spindle and sleeve
- WRAS 2010066

Fits: CL.1, CYO

| | | |
|--|-------------------------------|---------------|
| | Brushed Durabron (23kt Gold) | 36 607 741-28 |
| | Chrome | 36 607 741-00 |
| | Brushed Platinum | 36 607 741-06 |
| | Dark Chrome | 36 607 741-19 |
| | Matte Black | 36 607 741-33 |
| | Brushed Champagne (22kt Gold) | 36 607 741-46 |
| | Champagne (22kt Gold) | 36 607 741-47 |
| | Brushed Dark Platinum | 36 607 741-99 |

Required miscellaneous

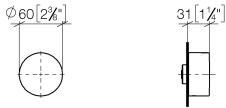
| | | |
|--|---|-----------------------|
| | Wall valve 1/2" - • max. recess depth 145 mm • min. recess depth 85 mm | 35 607 970-90 0010 |
|--|---|-----------------------|

Required miscellaneous

| | | |
|--|--------------------------|-----------------------|
| | Wall valve 1/2" - | 35 607 970-90 0010 |
|--|--------------------------|-----------------------|

36 607 741

mm [inches]



Codes & Standards

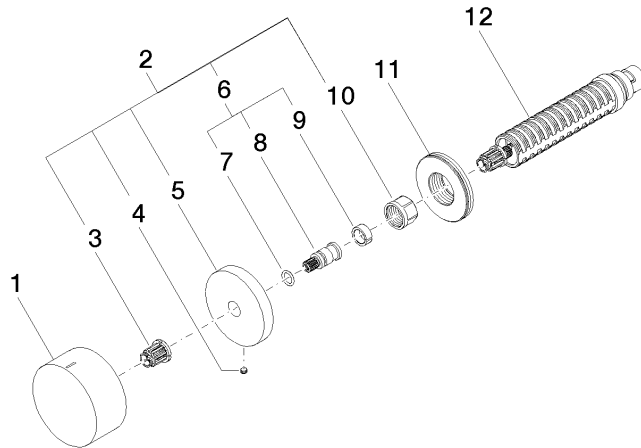
| | | | |
|---------------------------------|--------------------------------|-----------|----------|
| ASME A112.18.1/CSA B125.1 | DIN 4109 | EN 200 | ISO 3822 |
| Scottish Water Byelaws | UK Water Supply Regulations | Ü-Zeichen | |

Certificates

| | | | | |
|---------------------|-----------|--------|--------|--------|
| DVGW_DW- 6501DN0 | WRAS_2010 | LGA_38 | LGA_29 | LGA_29 |
|---------------------|-----------|--------|--------|--------|

36 607 741

Product version from 7/1/2023





Wall valve clockwise closing cold 1/2" - Brushed Durabrass (23kt Gold)

CL.1

36 607 741

Spare parts list

Product version from 7/1/2023

| No. | Item Number | Name | Quantity used | Delivery time |
|-----|-----------------|-----------------|---------------|---------------|
| | 09 20 74 020-28 | handle (cold) | 12 | 20 |