

MEM Wall valve clockwise closing 1/2" - Chrome

MEM

36 607 782

- rosette 60 x 60 mm
- head part with cut-to-length spindle and sleeve



	Chrome	36 607 782-00
	Brushed Platinum	36 607 782-06
	Platinum	36 607 782-08
	Dark Chrome	36 607 782-19
	Brushed Durabronze (23kt Gold)	36 607 782-28
	Brushed Champagne (22kt Gold)	36 607 782-46
	Champagne (22kt Gold)	36 607 782-47
	Brushed Chrome	36 607 782-93
	Brushed Dark Platinum	36 607 782-99

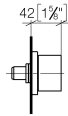
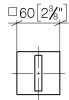
Required miscellaneous



- Wall valve 1/2" -** 35 607 970-90
- max. recess depth 150 mm 0010
 - min. recess depth 105 mm

36 607 782

mm [inches]



Codes & Standards

ADA

ASME
A112.18.1/CSA
B125.1

Certificates

DVGW_DW-
6501DN0116.

WRAS_2011026.

IAPMO_4976 (1).

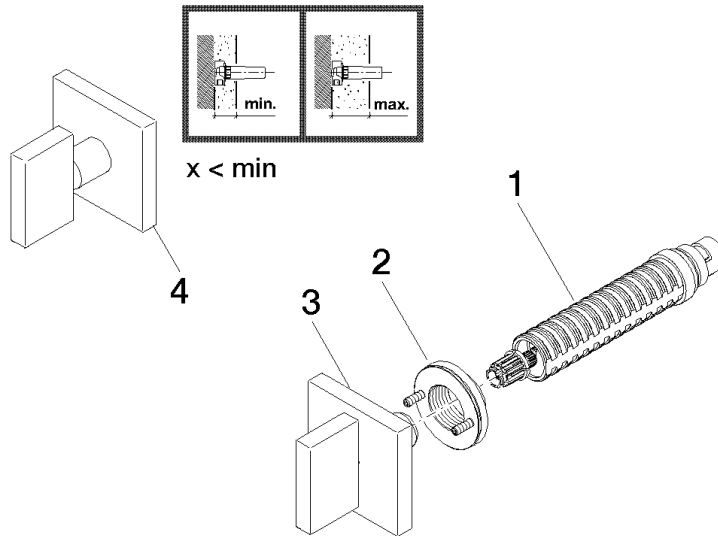
LGA_29931.

WRAS_2010066.

DVGW_DW-
6512DN0706.

LGA_29932.

36 607 782



Spare parts list

No.	Item Number	Name	Quantity used	Delivery time
1	90 90 03 143 00 90	top	1	2
2	90 21 02 108 00 90	disc	1	2
3	90 20 78 002 02-00	handle	1	2
4	90 20 78 002 01-00	handle	1	10