

MEM Wall valve clockwise closing 1/2" - Brushed Champagne (22kt Gold)

MEM


36 607 782



- rosette 60 x 60 mm
- head part with cut-to-length spindle and sleeve
- WRAS 2011026, 2010066

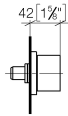
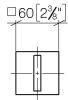
| | | |
|--|--------------------------------|---------------|
|  | Brushed Champagne (22kt Gold) | 36 607 782-46 |
|  | Chrome | 36 607 782-00 |
|  | Brushed Platinum | 36 607 782-06 |
|  | Platinum | 36 607 782-08 |
|  | Dark Chrome | 36 607 782-19 |
|  | Brushed Durabronze (23kt Gold) | 36 607 782-28 |
|  | Champagne (22kt Gold) | 36 607 782-47 |
|  | Brushed Chrome | 36 607 782-93 |
|  | Brushed Dark Platinum | 36 607 782-99 |

Required miscellaneous

| | | |
|---|--|-----------------------|
|  | Wall valve 1/2" - •max. recess depth 150 mm •min. recess depth 105 mm | 35 607 970-90 0010 |
|---|--|-----------------------|

36 607 782

mm [inches]



Codes & Standards

| | | | |
|--------|---------------------------------|---------------------------|--------------------------------|
| ADA | ASME A112.18.1/CSA B125.1 | DIN 4109 | EN 1111 |
| EN 200 | ISO 3822 | Scottish Water Byelaws | UK Water Supply Regulations |

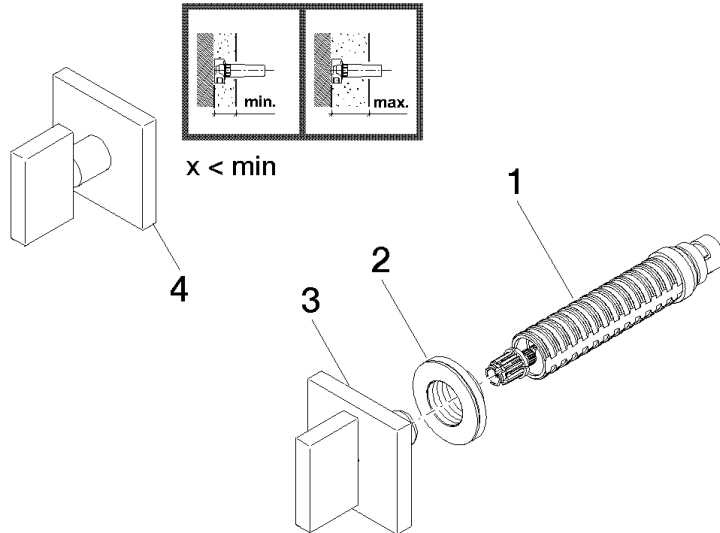
Ü-Zeichen

Certificates

| | | | | |
|---------------------|-----------|--------|---------------------|-----------|
| DVGW_DW- 6501DN0 | WRAS_2010 | LGA_29 | DVGW_DW- 6512DN0 | WRAS_2011 |
|---------------------|-----------|--------|---------------------|-----------|

36 607 782

Product version from 10/14/2020





MEM Wall valve clockwise closing 1/2" - Brushed Champagne (22kt Gold)

MEM

36 607 782

Spare parts list

Product version from 10/14/2020