

MEM Wall valve clockwise closing 1/2" - Champagne (22kt Gold)

MEM

36 607 782



- rosette 60 x 60 mm
- head part with cut-to-length spindle and sleeve
- WRAS 2011026, 2010066

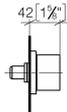
	Champagne (22kt Gold)	36 607 782-47
	Chrome	36 607 782-00
	Brushed Platinum	36 607 782-06
	Platinum	36 607 782-08
	Dark Chrome	36 607 782-19
	Brushed Durabronze (23kt Gold)	36 607 782-28
	Brushed Champagne (22kt Gold)	36 607 782-46
	Brushed Chrome	36 607 782-93
	Brushed Dark Platinum	36 607 782-99

Required miscellaneous

	Wall valve 1/2" - •max. recess depth 150 mm •min. recess depth 105 mm	35 607 970-90 0010
---	--	-----------------------

36 607 782

mm [inches]



Codes & Standards

ADA	ASME A112.18.1/CSA B125.1	DIN 4109	EN 1111
EN 200	ISO 3822	Scottish Water Byelaws	UK Water Supply Regulations

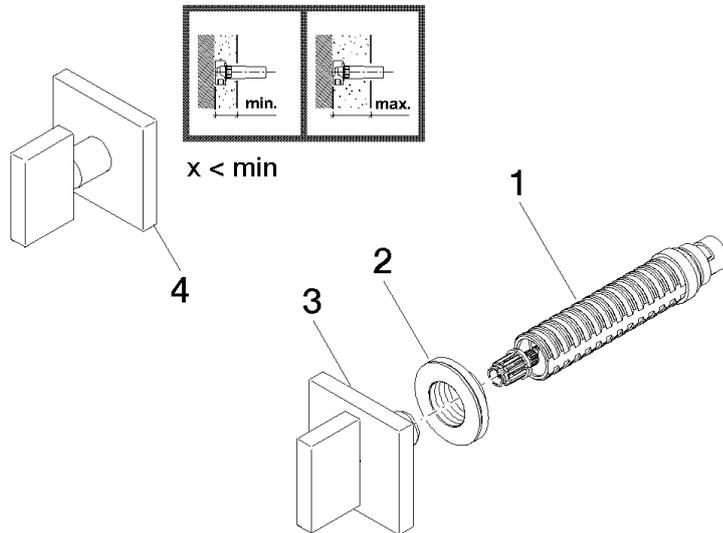
Ü-Zeichen

Certificates

DVGW_DW- 6501DN0	WRAS_2010	LGA_29	DVGW_DW- 6512DN0	WRAS_2011
---------------------	-----------	--------	---------------------	-----------

36 607 782

Product version from 10/14/2020





MEM Wall valve clockwise closing 1/2" - Champagne (22kt Gold)

MEM

36 607 782

Spare parts list

Product version from 10/14/2020