

36 607 819

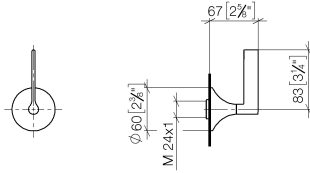


- rosette Ø 60 mm
- head part with cut-to-length spindle and sleeve
- WRAS 2011026, 2010066

	Dark Chrome	36 607 819-19
	Chrome	36 607 819-00
	Brushed Platinum	36 607 819-06
	Platinum	36 607 819-08
	Brushed Durabronze (23kt Gold)	36 607 819-28
	Brushed Bronze	36 607 819-42
	Brushed Champagne (22kt Gold)	36 607 819-46
	Champagne (22kt Gold)	36 607 819-47
	Brushed Dark Platinum	36 607 819-99

36 607 819

mm [inches]



Codes & Standards

ADA	ASME A112.18.1/CSA B125.1	DIN 4109	EN 1111
EN 200	ISO 3822	Scottish Water Byelaws	UK Water Supply Regulations

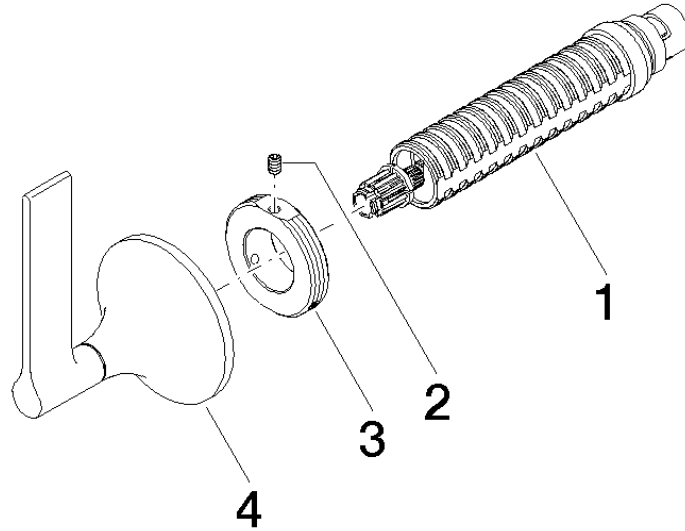
Ü-Zeichen

Certificates

DVGW_DW- 6501DN0	WRAS_2010	LGA_29	DVGW_DW- 6512DN0	WRAS_2011
---------------------	-----------	--------	---------------------	-----------

36 607 819

Parts for other
finishes can be found
here: [Chrome](#)





VAIA Wall valve clockwise closing 1/2" - Dark Chrome

VAIA

36 607 819

Spare parts list