


36 607 980



- rosette 60 x 60 mm
- head part with cut-to-length spindle and sleeve
- WRAS 2011026, 2010066

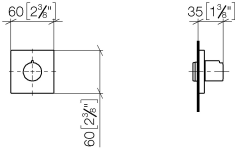
	Chrome	36 607 980-00
	Brushed Platinum	36 607 980-06
	Platinum	36 607 980-08
	Dark Chrome	36 607 980-19
	Brushed Light Gold	36 607 980-27
	Brushed Durabronze (23kt Gold)	36 607 980-28
	Matte Black	36 607 980-33
	Brushed Chrome	36 607 980-93
	Brushed Dark Platinum	36 607 980-99

Required miscellaneous

	Wall valve 1/2" - ● max. recess depth 145 mm ● min. recess depth 75 mm	35 607 970-90 0010
---	---	-----------------------

36 607 980

mm [inches]



Codes & Standards

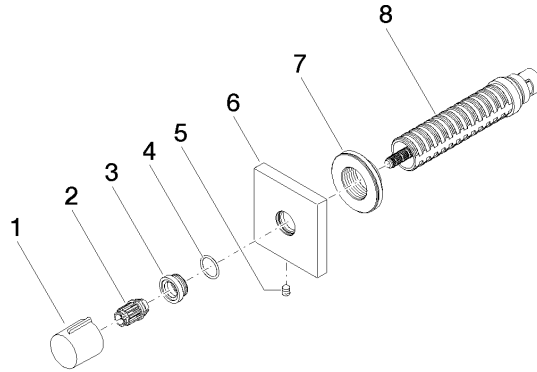
ASME A112.18.1	ASME A112.18.1/CSA B125.1	cUPC	DIN 4109
EN 1111	EN 200	ISO 3822	Scottish Water Byelaws
UK Water Supply Regulations	Ü-Zeichen		

Certificates

IAPMO_4976	DVGW_DW- 6501DN0	WRAS_2010	LGA_29	LGA_29
DVGW_DW- 6512DN0	WRAS_2011			

36 607 980

Product version from 6/1/2024





IMO Wall valve anti-clockwise closing 1/2" - Chrome

IMO

36 607 980

Spare parts list

Product version from 6/1/2024

No.	Item Number	Name	Quantity used	Delivery time
	09 20 98 001-00	handle	8	10