

36 607 980

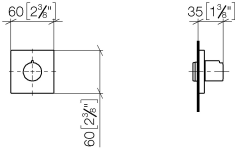


- rosette 60 x 60 mm
- head part with cut-to-length spindle and sleeve
- WRAS 2011026, 2010066

	Matte Black	36 607 980-33
	Chrome	36 607 980-00
	Brushed Platinum	36 607 980-06
	Platinum	36 607 980-08
	Dark Chrome	36 607 980-19
	Brushed Light Gold	36 607 980-27
	Brushed Durabronze (23kt Gold)	36 607 980-28
	Brushed Chrome	36 607 980-93
	Brushed Dark Platinum	36 607 980-99

36 607 980

mm [inches]



Codes & Standards

ASME A112.18.1	ASME A112.18.1/CSA B125.1	cUPC	DIN 4109
EN 1111	ISO 3822	Scottish Water Byelaws	UK Water Supply Regulations

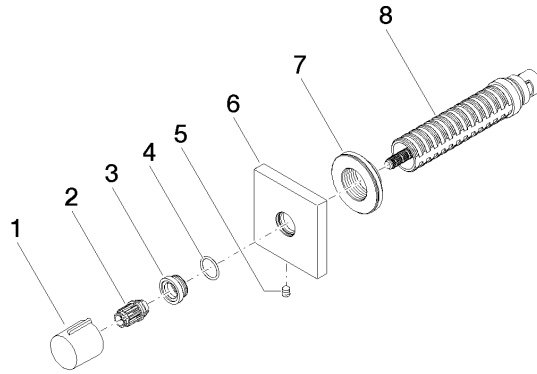
Ü-Zeichen

Certificates

WRAS_2010	IAPMO_4976	LGA_29	DVGW_DW- 6512DN0	WRAS_2011
-----------	------------	--------	---------------------	-----------

36 607 980

Parts for other
finishes can be found
here: [Chrome](#)





Spare parts list