

TARA Wall-mounted basin mixer without pop-up waste - Brushed Chrome

TARA

36 717 892



- 240mm projection
- fixed spout
- circular, air-enriched flow
- hole diameter valve 40 mm
- hole diameter spout 40 mm
- rosette Ø 55 mm
- max. flow 4.5 l/min
- lead-free
- This product can help a building meet the requirements of Green Building Rating Systems, e.g. LEED®, BREEAM®, DGNB

	Brushed Chrome	36 717 892-93 0010
	Chrome	36 717 892-00 0010
	Brushed Platinum	36 717 892-06 0010
	Platinum	36 717 892-08 0010
	Dark Chrome	36 717 892-19 0010
	Brushed Durabronze (23kt Gold)	36 717 892-28 0010
	Matte Black	36 717 892-33 0010
	Brushed Bronze	36 717 892-42 0010
	Brushed Champagne (22kt Gold)	36 717 892-46 0010
	Champagne (22kt Gold)	36 717 892-47 0010
	Brushed Dark Platinum	36 717 892-99 0010

Required miscellaneous



Concealed wall-mounted mixer centred spout - 35 700 970-90 0010
 •max. recess depth 145 mm
 •min. recess depth 85 mm

Required miscellaneous



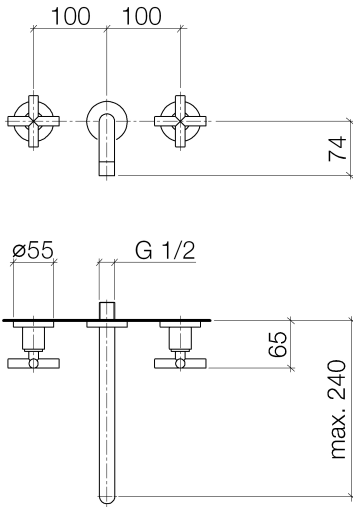
Concealed wall-mounted mixer variable positioning - 35 720 970-90 0010
 •max. recess depth 145 mm
 •min. recess depth 85 mm



TARA Wall-mounted basin mixer without pop-up waste - Brushed Chrome

TARA

36 717 892



Codes & Standards

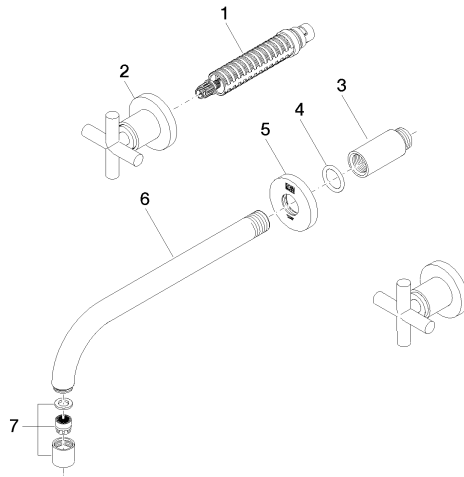
ADA	ASME A112.18.1/CSA B125.1	California Energy Commission (CEC)	EPA WaterSense
NSF/ANSI 372	NSF/ANSI/CAN 61	NSF372	NSF61
Water Sense	WaterSense		

Certificates

IAPMO_6397 IAPMO_8834 IAPMO_N-4976

36 717 892

Product version from 4/1/2024





TARA Wall-mounted basin mixer without pop-up waste - Brushed Chrome

TARA

36 717 892

Spare parts list

Product version from 4/1/2024

No.	Item Number	Name	Quantity used	Delivery time
	90 90 03 157 00 90	top	9	2