

META Wall-mounted single-lever basin mixer without pop-up waste - Dark Chrome

META

36 860 660



- 190mm projection
- fixed spout
- circular, air-enriched flow
- hole diameter spout 37 mm
- hole diameter single-lever mixer 57 mm
- rosette for spout Ø 55mm
- rosette for mixer Ø 78mm
- max. flow 4.5 l/min
- lead-free
- This product can help a building meet the requirements of Green Building Rating Systems, e.g. LEED®, BREEAM®, DGNB

	Dark Chrome	36 860 660-19 0010
	Chrome	36 860 660-00 0010
	Brushed Platinum	36 860 660-06 0010
	Light Gold	36 860 660-26 0010
	Brushed Light Gold	36 860 660-27 0010
	Matte Black	36 860 660-33 0010
	Brushed Bronze	36 860 660-42 0010
	Brushed Champagne (22kt Gold)	36 860 660-46 0010
	Champagne (22kt Gold)	36 860 660-47 0010
	Brushed Chrome	36 860 660-93 0010
	Brushed Dark Platinum	36 860 660-99 0010

Required miscellaneous



Concealed wall-mounted single-lever mixer - 35 860 970-90 0010

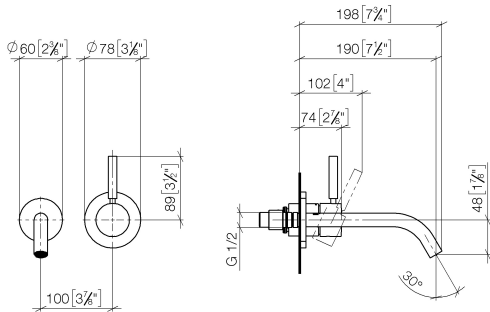
- max. recess depth 95 mm
- min. recess depth 80 mm
- Rough can be rotated to position the lever on top or to the left of the spout.



META Wall-mounted single-lever basin mixer without pop-up waste - Dark Chrome

META

36 860 660
mm [inches]



Flow rate chart



Codes & Standards

ADA

ASME
A112.18.1/CSA
B125.1

California Energy
Commission
(CEC)

NSF/ANSI 372

NSF/ANSI/CAN
61



META Wall-mounted single-lever basin mixer without pop-up waste - Dark
Chrome

META

36 860 660

Certificates

IAPMO_N-4976 (2). IAPMO_6397 (2).

36 860 660

