

36 860 680



- 221mm projection
- fixed spout
- air-enriched flow
- cover plate 178 x 78 mm
- max. flow 5.7 l/min at 3 bar flow pressure
- lead-free
- This product can help a building meet the requirements of Green Building Rating Systems, e.g. LEED®, BREEAM®, DGNB
- WRAS 2107020

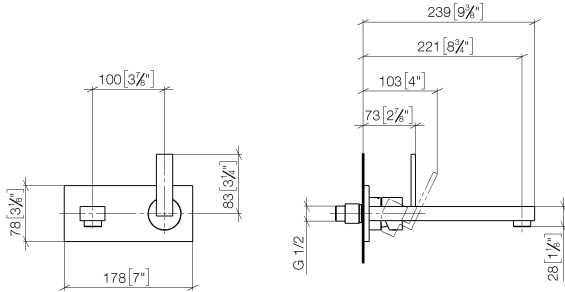
Required miscellaneous



- | | |
|--|-------------------------------|
| <p>Concealed wall-mounted single-lever mixer -</p> <ul style="list-style-type: none"> ● max. recess depth 95 mm ● min. recess depth 80 mm ● Rough can be rotated to position the lever on top or to the left of the spout. | <p>35 860 970-90
0010</p> |
|--|-------------------------------|

36 860 680

mm [inches]



Flow rate chart



Codes & Standards

ADA	ASME A112.18.1/CSA B125.1	California Energy Commission (CEC)	DIN 4109
ISO 3822	NSF/ANSI 372	NSF/ANSI/CAN 61	NSF61
Scottish Water Byelaws	UK Water Supply Regulations	Ü-Zeichen	



LOT Wall-mounted mixer with cover plate - Chrome

LOT

36 860 680

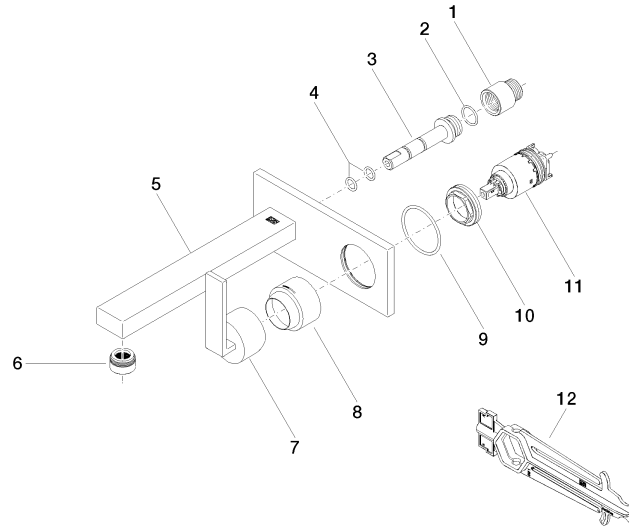
Certificates

WRAS_2107

IAPMO_N-4976

LGA_29

36 860 680





LOT Wall-mounted mixer with cover plate - Chrome

LOT

36 860 680

Spare parts list

No.	Item Number	Name	Quantity used	Delivery time
	09 24 03 072 10 90	nipple	13	2