

**VAIA Wall-mounted single-lever basin mixer without pop-up waste - Dark
Chrome**

VAIA

36 860 809



- 190mm projection
- fixed spout
- circular, air-enriched flow
- hole diameter spout 37 mm
- hole diameter single-lever mixer 57 mm
- rosette for single-lever mixer Ø 78mm
- rosette for spout Ø 60mm
- max. flow 4.5 l/min
- lead-free
- This product can help a building meet the requirements of Green Building Rating Systems, e.g. LEED®, BREEAM®, DGNB

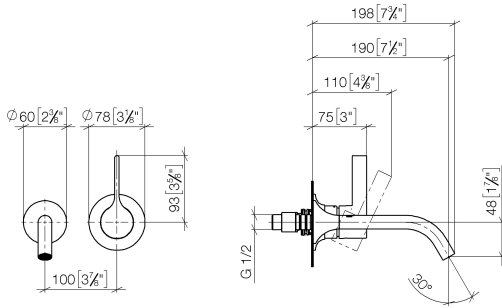
	Dark Chrome	36 860 809-19 0010
	Chrome	36 860 809-00 0010
	Brushed Platinum	36 860 809-06 0010
	Platinum	36 860 809-08 0010
	Brushed Durabronze (23kt Gold)	36 860 809-28 0010
	Brushed Bronze	36 860 809-42 0010
	Brushed Champagne (22kt Gold)	36 860 809-46 0010
	Champagne (22kt Gold)	36 860 809-47 0010
	Brushed Dark Platinum	36 860 809-99 0010



VAIA Wall-mounted single-lever basin mixer without pop-up waste - Dark Chrome

VAIA

36 860 809
mm [inches]



Flow rate chart



Codes & Standards

ADA

ASME
A112.18.1/CSA
B125.1

California Energy
Commission
(CEC)

NSF/ANSI 372

NSF/ANSI/CAN
61



VAIA Wall-mounted single-lever basin mixer without pop-up waste - Dark
Chrome

VAIA

36 860 809

Certificates

IAPMO_N-4976 (2). IAPMO_6397 (2).

VAIA Wall-mounted single-lever basin mixer without pop-up waste - Dark
Chrome

VAIA

36 860 809

Parts for other
finishes can be found
here: Chrome

