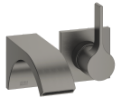



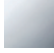



CYO Wall-mounted single-lever basin mixer without pop-up waste - Brushed Dark Platinum

CYO

36 860 811



- 160mm projection
- fixed spout
- rectangular, air-enriched flow
- hole diameter spout 37 mm
- hole diameter single-lever mixer 57 mm
- rosette for mixer 80 x 80mm
- max. flow 4.5 l/min
- lead-free
- This product can help a building meet the requirements of Green Building Rating Systems, e.g. LEED®, BREEAM®, DGNB
- WRAS 2107047

| | | |
|---|--------------------------------|---------------|
|  | Brushed Dark Platinum | 36 860 811-99 |
|  | Chrome | 36 860 811-00 |
|  | Brushed Platinum | 36 860 811-06 |
|  | Dark Chrome | 36 860 811-19 |
|  | Brushed Durabronze (23kt Gold) | 36 860 811-28 |

Required miscellaneous



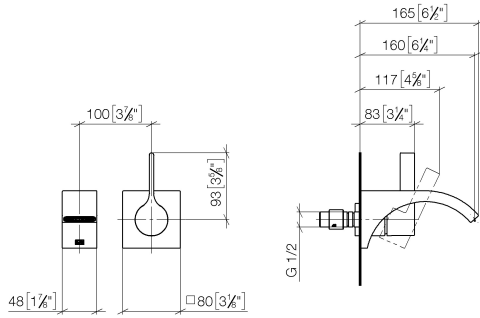
- Concealed wall-mounted single-lever mixer -** 35 860 970-900010
- max. recess depth 95 mm
 - min. recess depth 80 mm
 - Rough can be rotated to position the lever on top or to the left of the spout.



CYO Wall-mounted single-lever basin mixer without pop-up waste - Brushed Dark Platinum

CYO

36 860 811
mm [inches]



Flow rate chart



Codes & Standards

California Energy
Commission
(CEC)

Water Sense





CYO Wall-mounted single-lever basin mixer without pop-up waste - Brushed
Dark Platinum

CYO

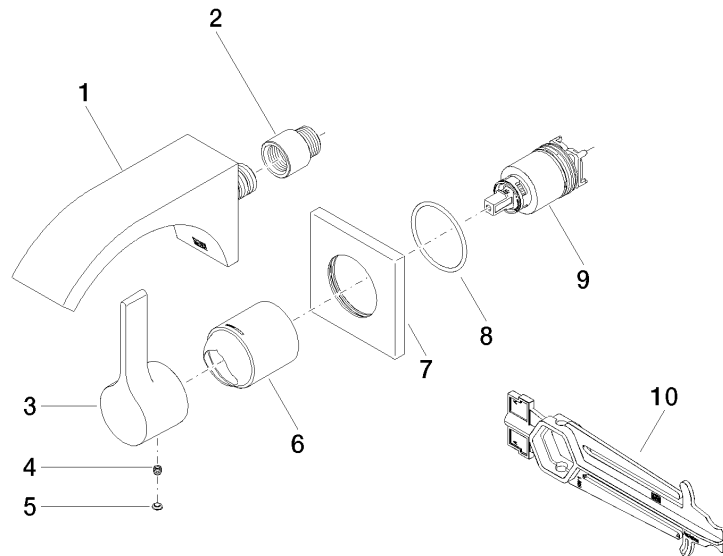
36 860 811

Certificates

IAPMO_N-4976 (2). WRAS_2107047. IAPMO_8834 (2). IAPMO_6397 (2). IAPMO_4976 (1).

LGA_38122.

36 860 811



Spare parts list

| No. | Item Number | Name | Quantity used | Delivery time |
|-----|--------------------|--|---------------|---------------|
| 1 | 13 800 811-99 | CYO Wall-mounted basin spout without pop-up waste - Brushed Dark Platinum | 1 | 30 |
| 2 | 09 24 03 072 10 90 | nipple | 1 | 2 |
| 3 | 09 20 80 021-99 | handle | 1 | 30 |
| 4 | 90 31 11 030 00 90 | pin | 1 | 2 |
| 5 | 90 31 20 087 00-99 | plug | 1 | 30 |
| 6 | 09 11 02 288-99 | cover | 1 | 30 |
| 7 | 09 27 78 039-99 | rosette | 1 | 30 |
| 8 | 90 14 10 049 00 90 | seal | 1 | 2 |
| 9 | 90 15 05 064 01 90 | cartridge | 1 | 2 |
| 10 | 90 30 09 064 00 90 | key | 1 | 2 |