

**META META PURE Wall-mounted single-lever basin mixer without pop-up waste - Brushed Platinum**

META

36 861 664



- 250mm projection
- fixed spout
- circular, air-enriched flow
- hole diameter spout 37 mm
- hole diameter single-lever mixer 57 mm
- rosette for spout Ø 55mm
- rosette for mixer Ø 78mm
- max. flow 4.5 l/min
- lead-free
- This product can help a building meet the requirements of Green Building Rating Systems, e.g. LEED®, BREEAM®, DGNB

	Brushed Platinum	36 861 664-06 0010
	Chrome	36 861 664-00 0010
	Dark Chrome	36 861 664-19 0010
	Light Gold	36 861 664-26 0010
	Brushed Light Gold	36 861 664-27 0010
	Matte Black	36 861 664-33 0010
	Brushed Bronze	36 861 664-42 0010
	Brushed Champagne (22kt Gold)	36 861 664-46 0010
	Champagne (22kt Gold)	36 861 664-47 0010
	Brushed Chrome	36 861 664-93 0010
	Brushed Dark Platinum	36 861 664-99 0010

**Required miscellaneous**



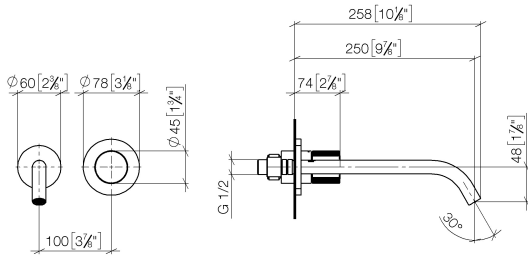
- Concealed wall-mounted single-lever mixer -** 35 860 970-90 0010
- max. recess depth 95 mm
  - min. recess depth 80 mm
  - Rough can be rotated to position the lever on top or to the left of the spout.



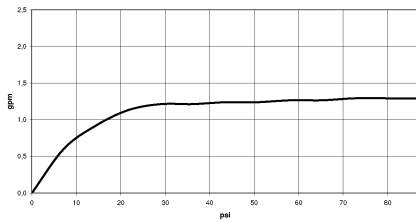
**META META PURE Wall-mounted single-lever basin mixer without pop-up waste - Brushed Platinum**

META

36 861 664  
mm [inches]



**Flow rate chart**



**Codes & Standards**

ASME A112.18.1	ASME A112.18.1/CSA B125.1	California Energy Commission (CEC)	cUPC
EPA WaterSense	NSF/ANSI 372	NSF/ANSI/CAN 61	NSF372
NSF61	Water Sense	WaterSense	



META META PURE Wall-mounted single-lever basin mixer without pop-up waste - Brushed Platinum

---

META

36 861 664

Certificates

---

IAPMO\_4976

IAPMO\_8834

IAPMO\_6397

IAPMO\_N-4976

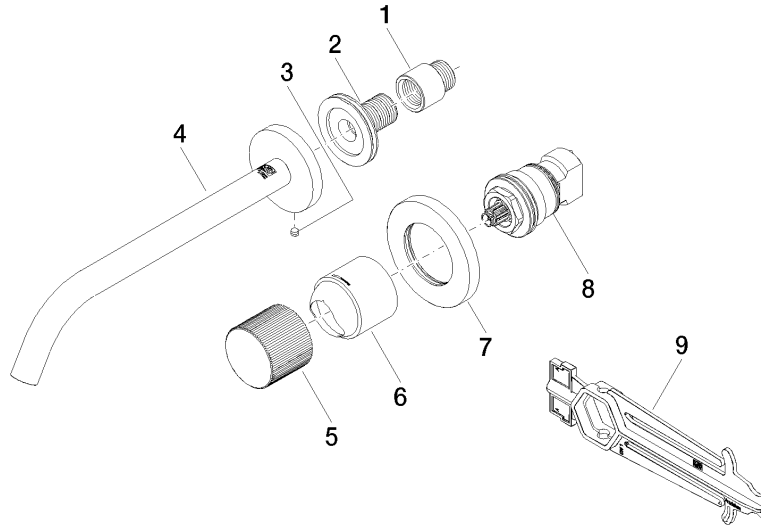


META META PURE Wall-mounted single-lever basin mixer without pop-up waste - Brushed Platinum

META

36 861 664

Product version from 7/1/2023





**META META PURE Wall-mounted single-lever basin mixer without pop-up waste - Brushed Platinum**

META

36 861 664

**Spare parts list**

**Product version from 7/1/2023**

No.	Item Number	Name	Quantity used	Delivery time
	09 24 03 072 10 90	nipple	9	2