

META META PURE Wall-mounted single-lever basin mixer without pop-up waste - Dark Chrome

META

36 861 664



- 250mm projection
- fixed spout
- circular, air-enriched flow
- hole diameter spout 37 mm
- hole diameter single-lever mixer 57 mm
- rosette for spout Ø 55mm
- rosette for mixer Ø 78mm
- max. flow 4.5 l/min
- lead-free
- This product can help a building meet the requirements of Green Building Rating Systems, e.g. LEED®, BREEAM®, DGNB

	Dark Chrome	36 861 664-19 0010
	Chrome	36 861 664-00 0010
	Brushed Platinum	36 861 664-06 0010
	Light Gold	36 861 664-26 0010
	Brushed Light Gold	36 861 664-27 0010
	Matte Black	36 861 664-33 0010
	Brushed Bronze	36 861 664-42 0010
	Brushed Champagne (22kt Gold)	36 861 664-46 0010
	Champagne (22kt Gold)	36 861 664-47 0010
	Brushed Chrome	36 861 664-93 0010
	Brushed Dark Platinum	36 861 664-99 0010

Required miscellaneous



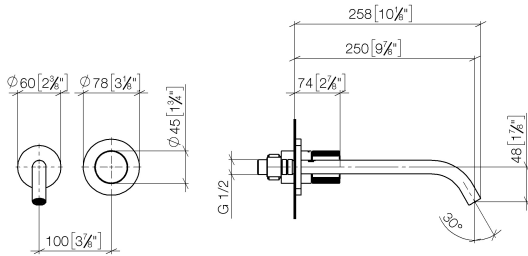
- Concealed wall-mounted single-lever mixer -** 35 860 970-90 0010
- max. recess depth 95 mm
 - min. recess depth 80 mm
 - Rough can be rotated to position the lever on top or to the left of the spout.



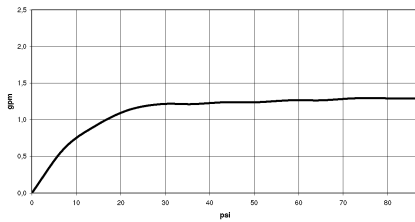
META META PURE Wall-mounted single-lever basin mixer without pop-up waste - Dark Chrome

META

36 861 664
mm [inches]



Flow rate chart



Codes & Standards

ASME
A112.18.1/CSA
B125.1
NSF372

California Energy
Commission
(CEC)
NSF61

NSF/ANSI 372

NSF/ANSI/CAN
61



META META PURE Wall-mounted single-lever basin mixer without pop-up waste - Dark Chrome

META

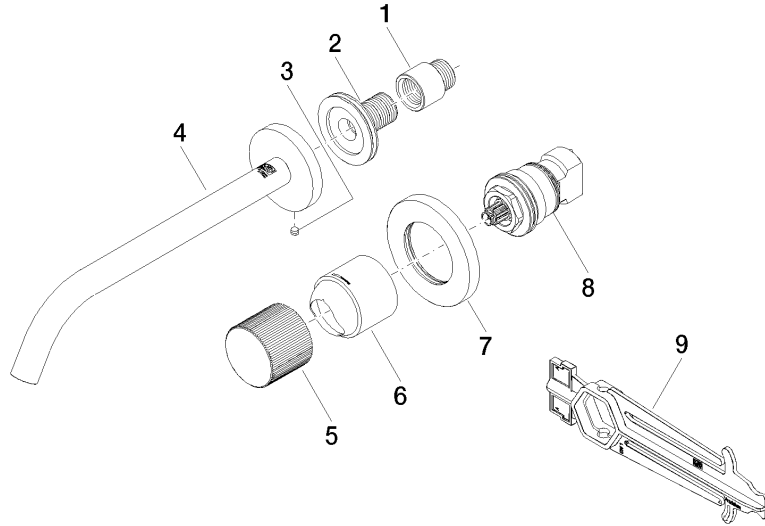
36 861 664

Certificates

IAPMO_6397

IAPMO_N-4976

36 861 664





META META PURE Wall-mounted single-lever basin mixer without pop-up waste - Dark Chrome

META

36 861 664

Spare parts list