


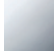

IMO Wall-mounted single-lever basin mixer without pop-up waste - Brushed Platinum

IMO

36 861 670



- 170mm projection
- fixed spout
- rectangular, air-enriched flow
- hole diameter spout 37 mm
- hole diameter single-lever mixer 57 mm
- rosette for spout 80 x 60mm
- rosette for mixer 80 x 80mm
- max. flow 4.5 l/min
- lead-free
- This product can help a building meet the requirements of Green Building Rating Systems, e.g. LEED®, BREEAM®, DGNB

	Brushed Platinum	36 861 670-06 0010
	Chrome	36 861 670-00 0010
	Brushed Chrome	36 861 670-93 0010

Required miscellaneous



Concealed wall-mounted single-lever mixer - 35 860 970-90 0010

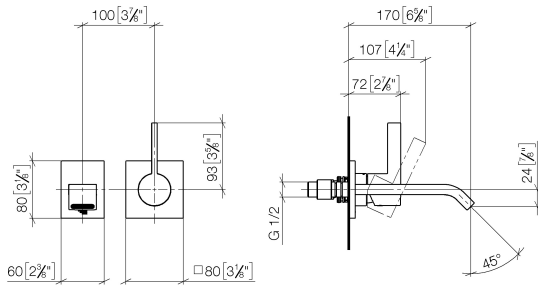
- max. recess depth 95 mm
- min. recess depth 80 mm
- Rough can be rotated to position the lever on top or to the left of the spout.



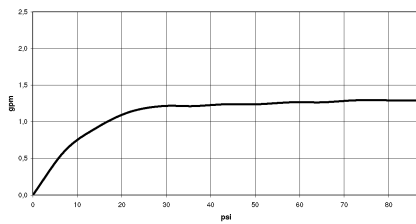
IMO Wall-mounted single-lever basin mixer without pop-up waste - Brushed Platinum

IMO

36 861 670
mm [inches]



Flow rate chart



Codes & Standards

ADA

ASME
A112.18.1/CSA
B125.1

California Energy
Commission
(CEC)

NSF/ANSI 372

NSF/ANSI/CAN
61

Water Sense





IMO Wall-mounted single-lever basin mixer without pop-up waste - Brushed
Platinum

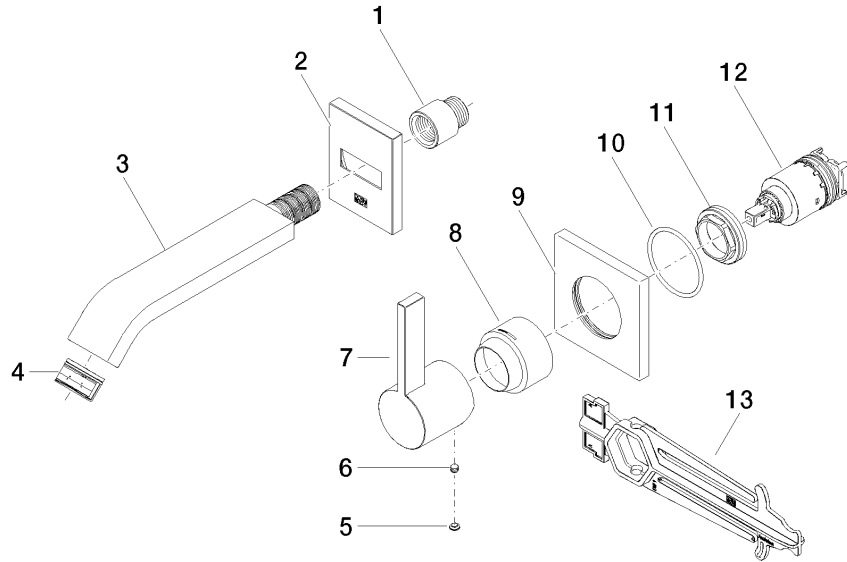
IMO

36 861 670

Certificates

IAPMO_N-4976 (2). IAPMO_8834 (2). IAPMO_6397 (2). IAPMO_4976 (1).

36 861 670



Spare parts list

No.	Item Number	Name	Quantity used	Delivery time
1	09 24 03 072 10 90	nipple	1	2
2	90 27 67 017 00-06	rosette	1	10
3	04 28 22 243 00-06	spout	1	10
4	90 29 03 118 00 90	aerator	1	2
5	90 31 20 087 00-06	plug	1	10
6	90 31 11 112 00 90	pin	1	2
7	09 20 67 004-06	handle	1	10
8	09 11 02 530-06	cover	1	10
9	09 27 78 039-06	rosette	1	10
10	90 14 10 049 00 90	seal	1	2
11	09 24 04 105 90	nut	1	2
12	90 15 05 064 01 90	cartridge	1	2
13	90 30 09 064 00 90	key	1	2