








## LISSÉ Wall-mounted single-lever basin mixer without pop-up waste - Dark Chrome

36 861 845 Product version from 4/1/2024



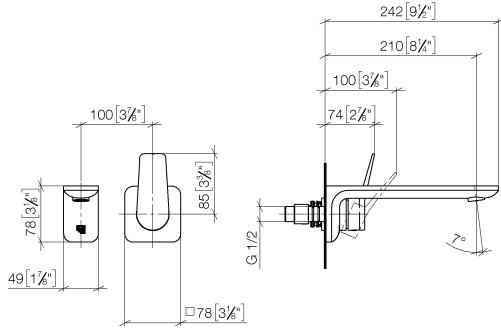
- 210mm projection
- fixed spout
- circular, air-enriched flow
- hole diameter spout 37 mm
- hole diameter single-lever mixer 57 mm
- rosette 78 x 78 mm
- max. flow 5.7 l/min
- lead-free
- This product can help a building meet the requirements of Green Building Rating Systems, e.g. LEED®, BREEAM®, DGNB
- WRAS

	Dark Chrome	36 861 845-19
	Chrome	36 861 845-00
	Brushed Platinum	36 861 845-06
	Brushed Light Gold	36 861 845-27
	Matte Black	36 861 845-33
	Brushed Chrome	36 861 845-93
	Brushed Dark Platinum	36 861 845-99



# LISSÉ Wall-mounted single-lever basin mixer without pop-up waste - Dark Chrome

36 861 845 Product version from 4/1/2024  
mm [inches]



## Flow rate chart



## Codes & Standards

ADA	ASME A112.18.1	ASME A112.18.1/CSA B125.1	cUPC
EN 817	NSF/ANSI 372	NSF/ANSI/CAN 61	NSF372
NSF61	Scottish Water Byelaws	UK Water Supply Regulations	



## LISSÉ Wall-mounted single-lever basin mixer without pop-up waste - Dark Chrome

---

36 861 845 Product version from 4/1/2024

### Certificates

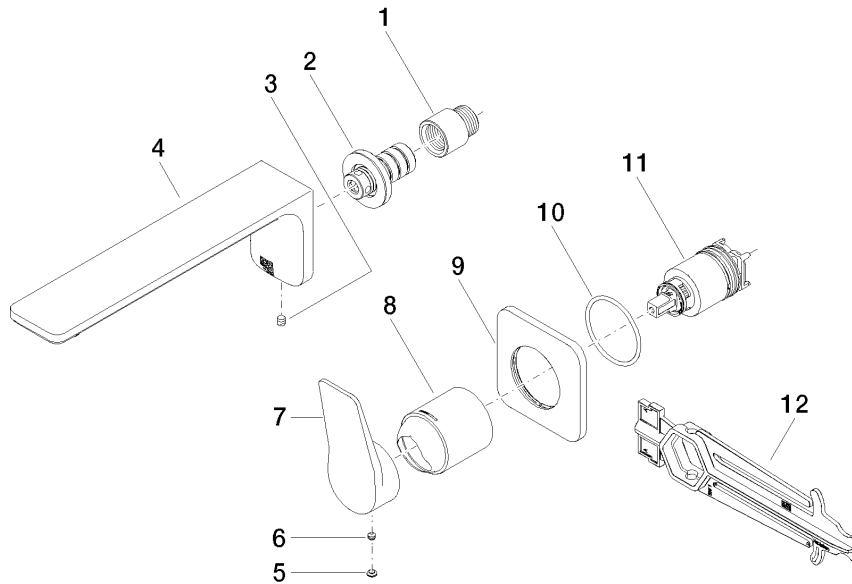
---

IAPMO_N-4976	DVGW_DW-6512DN0	IAPMO_6397	WRAS_2107	IAPMO_4976 (
--------------	-----------------	------------	-----------	--------------

**LISSÉ Wall-mounted single-lever basin mixer without pop-up waste - Dark Chrome**

36 861 845 Product version from 4/1/2024

Parts for other finishes can be found here: [Chrome](#)



**Spare parts list**

No.	Item Number	Name	Quantity used	Delivery time
1	09 24 03 072 10 90	nipple	1	2
2	90 24 03 108 00 90	nipple set	1	2
3	90 31 11 004 00 90	pin	1	2
4	90 11 84 023 00-19	spout	1	20
5	90 31 20 087 00-19	plug	1	20
6	90 31 11 063 00 90	pin	1	2
7	09 20 84 021-19	handle	1	60
8	09 11 02 288-19	cover	1	20
9	90 27 84 020 00-19	rosette	1	20
10	90 14 10 049 00 90	seal	1	2
11	90 15 05 046 02 90	cartridge	1	2
12	90 30 09 064 00 90	key	1	2