

MEM Wall-mounted single-lever basin mixer with cover plate without pop-up waste - Platinum

MEM

36 863 782



- 177mm projection
- fixed spout
- rectangular, air-enriched flow
- hole diameter spout 37 mm
- hole diameter single-lever mixer 57 mm
- cover plate 80 x 180 mm
- max. flow 4.5 l/min
- lead-free
- This product can help a building meet the requirements of Green Building Rating Systems, e.g. LEED®, BREEAM®, DGNB

| | | |
|---|--------------------------------|--------------------|
|  | Platinum | 36 863 782-08 0010 |
|  | Chrome | 36 863 782-00 0010 |
|  | Brushed Platinum | 36 863 782-06 0010 |
|  | Dark Chrome | 36 863 782-19 0010 |
|  | Brushed Durabronze (23kt Gold) | 36 863 782-28 0010 |
|  | Brushed Champagne (22kt Gold) | 36 863 782-46 0010 |
|  | Champagne (22kt Gold) | 36 863 782-47 0010 |
|  | Brushed Dark Platinum | 36 863 782-99 0010 |

Required miscellaneous



Concealed wall-mounted single-lever mixer - 35 860 970-90 0010

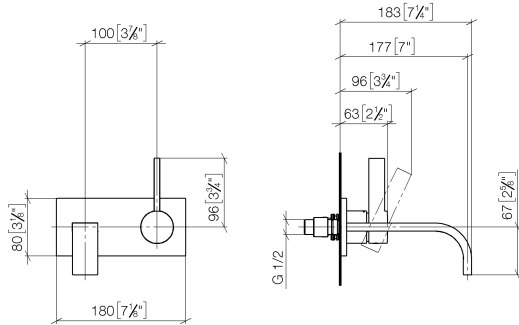
- max. recess depth 95 mm
- min. recess depth 80 mm
- Rough can be rotated to position the lever on top or to the left of the spout.



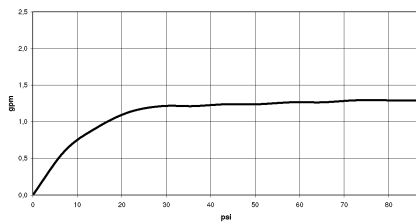
MEM Wall-mounted single-lever basin mixer with cover plate without pop-up waste - Platinum

MEM

36 863 782
mm [inches]



Flow rate chart



Codes & Standards

ADA

ASME
A112.18.1/CSA
B125.1

California Energy
Commission
(CEC)

NSF/ANSI 372

NSF/ANSI/CAN
61

Water Sense





MEM Wall-mounted single-lever basin mixer with cover plate without pop-up
waste - Platinum

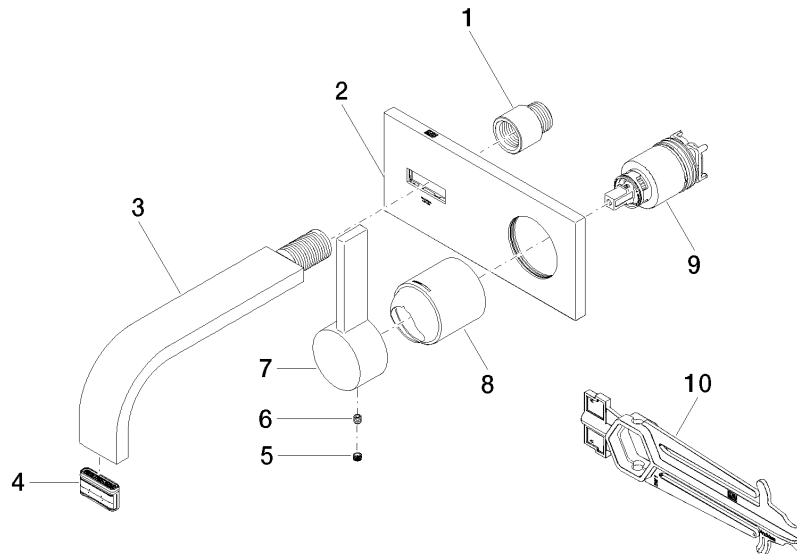
MEM

36 863 782

Certificates

IAPMO_N-4976 (2). IAPMO_8834 (2). IAPMO_6397 (2). IAPMO_4976 (1).

36 863 782



Spare parts list

| No. | Item Number | Name | Quantity used | Delivery time |
|-----|--------------------|-----------|---------------|---------------|
| 1 | 09 24 03 072 10 90 | nipple | 1 | 2 |
| 2 | 90 11 01 170 00-08 | plate | 1 | 40 |
| 3 | 04 28 22 150 10-08 | spout | 1 | 40 |
| 4 | 90 29 03 118 00 90 | aerator | 1 | 2 |
| 5 | 90 31 20 109 00 90 | plug | 1 | 2 |
| 6 | 90 31 11 030 00 90 | pin | 1 | 2 |
| 7 | 09 20 78 058-08 | handle | 1 | 40 |
| 8 | 09 11 02 288-08 | cover | 1 | 40 |
| 9 | 90 15 05 064 01 90 | cartridge | 1 | 2 |
| 10 | 90 30 09 064 00 90 | key | 1 | 2 |