



MEM Wall-mounted single-lever basin mixer with cover plate without pop-up waste - Brushed Champagne (22kt Gold)

MEM

36 863 782



- 177mm projection
- fixed spout
- rectangular, air-enriched flow
- hole diameter spout 37 mm
- hole diameter single-lever mixer 57 mm
- cover plate 80 x 180 mm
- max. flow 4.5 l/min
- lead-free
- This product can help a building meet the requirements of Green Building Rating Systems, e.g. LEED®, BREEAM®, DGNB

	Brushed Champagne (22kt Gold)	36 863 782-46 0010
	Chrome	36 863 782-00 0010
	Brushed Platinum	36 863 782-06 0010
	Platinum	36 863 782-08 0010
	Dark Chrome	36 863 782-19 0010
	Brushed Durabrass (23kt Gold)	36 863 782-28 0010
	Champagne (22kt Gold)	36 863 782-47 0010
	Brushed Dark Platinum	36 863 782-99 0010

Required miscellaneous



Concealed wall-mounted single-lever mixer - 35 860 970-90 0010

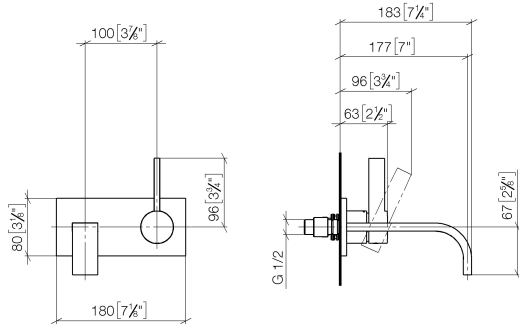
- max. recess depth 95 mm
- min. recess depth 80 mm
- Rough can be rotated to position the lever on top or to the left of the spout.



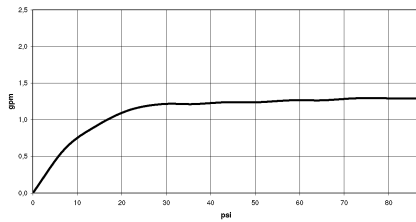
MEM Wall-mounted single-lever basin mixer with cover plate without pop-up waste - Brushed Champagne (22kt Gold)

MEM

36 863 782
mm [inches]



Flow rate chart



Codes & Standards

ADA

ASME
A112.18.1/CSA
B125.1

California Energy
Commission
(CEC)

NSF/ANSI 372

NSF/ANSI/CAN
61



MEM Wall-mounted single-lever basin mixer with cover plate without pop-up
waste - Brushed Champagne (22kt Gold)

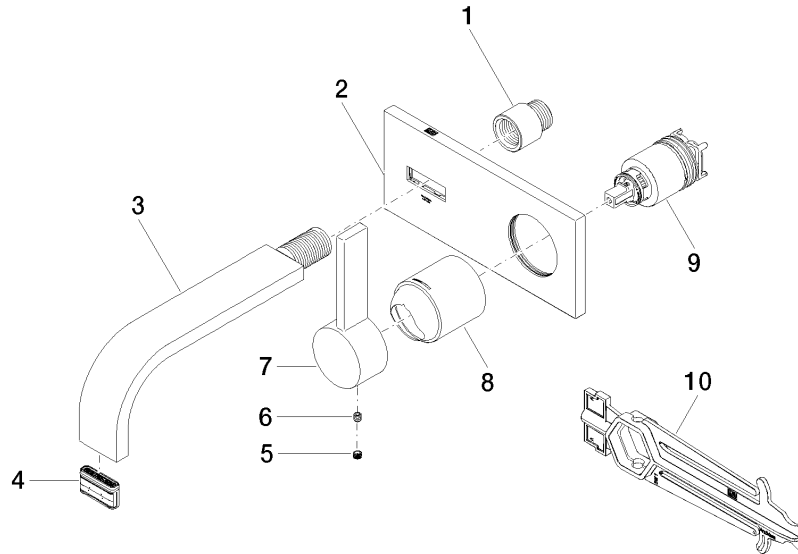
MEM

36 863 782

Certificates

IAPMO_N-4976 (2). IAPMO_6397 (2).

36 863 782



Spare parts list

No.	Item Number	Name	Quantity used	Delivery time
1	09 24 03 072 10 90	nipple	1	2
2	90 11 01 170 00-46	plate	1	30
3	04 28 22 150 10-46	spout	1	30
4	90 29 03 118 00 90	aerator	1	2
5	90 31 20 109 00 90	plug	1	2
6	90 31 11 030 00 90	pin	1	2
7	09 20 78 058-46	handle	1	60
8	09 11 02 288-46	cover	1	60
9	90 15 05 064 01 90	cartridge	1	2
10	90 30 09 064 00 90	key	1	2