

**META Wall-mounted single-lever basin mixer without pop-up waste - Brushed Champagne (22kt Gold)**

36 867 660 Product version from 7/1/2023



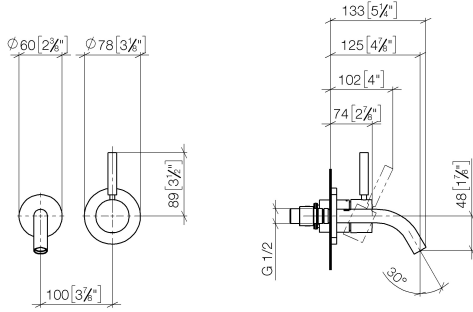
- 125mm projection
- fixed spout
- circular, air-enriched flow
- hole diameter spout 35 mm
- hole diameter single-lever mixer 57 mm
- rosette for single-lever mixer Ø 78mm
- rosette for spout Ø 60mm
- max. flow 4.5 l/min
- lead-free
- This product can help a building meet the requirements of Green Building Rating Systems, e.g. LEED®, BREEAM®, DGNB

	Brushed Champagne (22kt Gold)	36 867 660-46 0010
	Chrome	36 867 660-00 0010
	Brushed Platinum	36 867 660-06 0010
	Light Gold	36 867 660-26 0010
	Brushed Light Gold	36 867 660-27 0010
	Matte Black	36 867 660-33 0010
	Brushed Bronze	36 867 660-42 0010
	Champagne (22kt Gold)	36 867 660-47 0010
	Brushed Chrome	36 867 660-93 0010
	Brushed Dark Platinum	36 867 660-99 0010

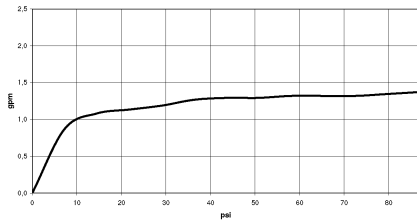


# META Wall-mounted single-lever basin mixer without pop-up waste - Brushed Champagne (22kt Gold)

36 867 660 Product version from 7/1/2023  
mm [inches]



## Flow rate chart



## Codes & Standards

ASME A112.18.1

California Energy  
Commission  
(CEC)

cUPC

NSF372

NSF61



## META Wall-mounted single-lever basin mixer without pop-up waste - Brushed Champagne (22kt Gold)

---

36 867 660 Product version from 7/1/2023

### Certificates

---

IAPMO\_N-4976

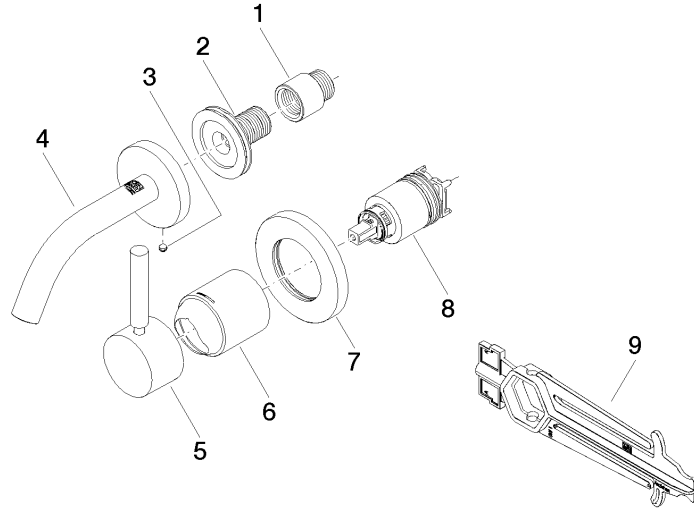
IAPMO\_6397

IAPMO\_4976 (

**META Wall-mounted single-lever basin mixer without pop-up waste - Brushed  
Champagne (22kt Gold)**

36 867 660 Product version from 7/1/2023

Parts for other  
finishes can be found  
here: [Chrome](#)



**Spare parts list**

No.	Item Number	Name	Quantity used	Delivery time
1	09 24 03 072 10 90	nipple	1	2
2	90 24 03 280 00 90	nipple	1	2
3	09 31 11 148 90	pin	1	2
4	90 28 22 363 00-46	spout	1	30
5	90 20 66 007 00-46	handle	1	30
6	09 11 02 288-46	cover	1	60
7	90 27 62 011 00-46	rosette	1	30
8	90 15 05 064 01 90	cartridge	1	2
9	90 30 09 064 00 90	key	1	2