

Pressure balanced valve with diverter

VAIA

36 915 809



- automatic diverter
- cover plate Ø 150 mm

	Platinum	36 915 809-08
	Chrome	36 915 809-00
	Brushed Platinum	36 915 809-06
	Dark Chrome	36 915 809-19
	Brushed Light Gold	36 915 809-27
	Brushed Durabronze (23kt Gold)	36 915 809-28
	Brushed Bronze	36 915 809-42
	Brushed Champagne (22kt Gold)	36 915 809-46
	Champagne (22kt Gold)	36 915 809-47
	Brushed Dark Platinum	36 915 809-99

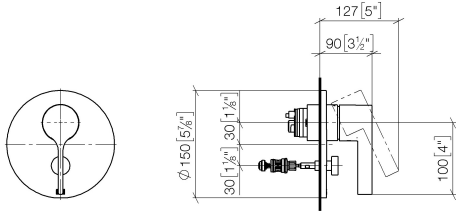
Required miscellaneous



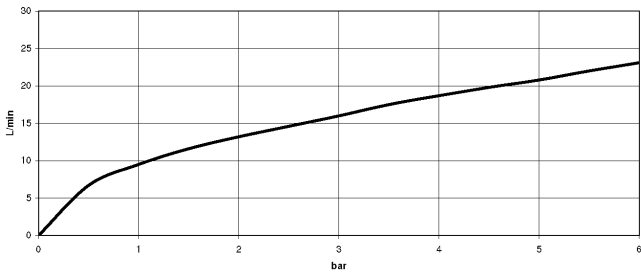
- Pressure balanced valve -** 35 920 970 90
- min. recess depth 80 mm
 - max. recess depth 105 mm

36 915 809

mm [inches]



Flow rate chart



Codes & Standards

ASME A112.18.1

cUPC



Pressure balanced valve with diverter

VAIA

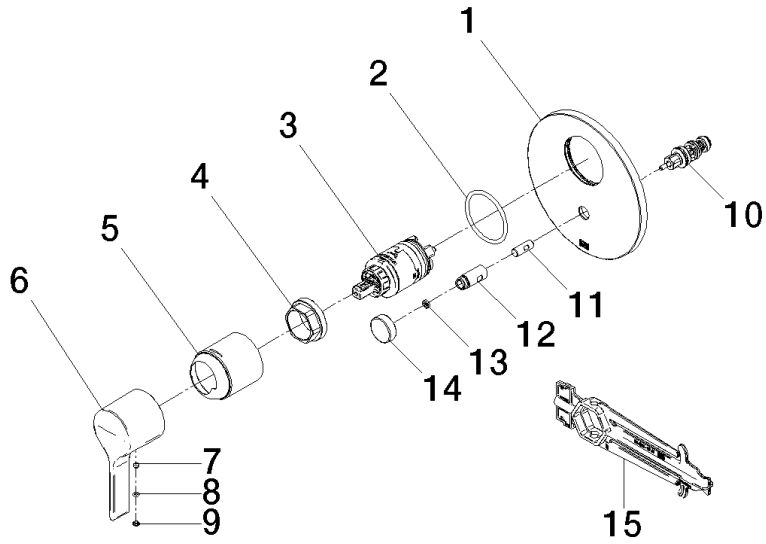
36 915 809

Certificates

IAPMO_4976

36 915 809

Product version from 5/1/2024





Pressure balanced valve with diverter

VAIA

36 915 809

Spare parts list

Product version from 5/1/2024

No.	Item Number	Name	Quantity used	Delivery time
	09 11 02 261-08	plate	15	40