

RAIN SKY M Rain panel for recessed ceiling installation manual control - Stainless Steel

IMO

41 101 979



Fits: IMO, LULU, MADISON, MEM, TARA,
CL.1, LISSÉ, VAIA, META, CYO

- head spray 200 x 160mm, 99 nozzles
- body spray 360 x 280mm, 142 nozzles
- rain curtain 720 x 540mm, 124 nozzles
- cover plate, stainless steel 1020 x 820 x 2 mm
- 3x flexible connection hose 1/2" - female thread
- 4x M 10 heavy-duty bolt
- pre-fitted, stainless steel enclosure 990 x 790 x 128 mmmm
- lights not included
- 2 hinges and safety chains

technical data:

- minimum flow rate: 9.5 l/min (all three rain modes together)
- flow at 3bar flow pressure in conjunction with xTOOL: 43l/min
- minimum flow pressure 2 bar
- max. flow pressure 4 bar
- weight: 50kg

technical data:

plumbing:

- recommended water hardness: 6-7 °dH - if the water is harder, integrate a water softener that uses the ion exchange principle into the feed pipe.
- for the optimum choice of hot water storage device - taking into consideration additional drawing-off points and the frequency with which RainSky M is used - the specific demand needs to be assessed.
- for choosing the drainage, taking into consideration the discharge of all the products in the shower, the specific demand needs to be assessed.
Recommendation: Floor drain (connected rating) = 1.5l/sec, drainage rate DN 70
- This product can help a building meet the requirements of Green Building Rating Systems, e.g. LEED®, BREEAM®, DGNB
- feeder 3 x 1.5mm² NYM



Must be installed with three-way diverter 35 104 970 -90 0010 (rough included)

Three-way diverter ensures that the product does not exceed the max. flow rate of 2.5 gpm at any setting. It does not permit the use of two functions simultaneously.

Three-way diverter trim is sold separately

Please refer to Planning Guide for proper sizing and installation methods

Pre-assembly kit for three-way diverter included

	Stainless Steel	41 101 979-85 0010
	Brushed Stainless Steel	41 101 979-86 0010

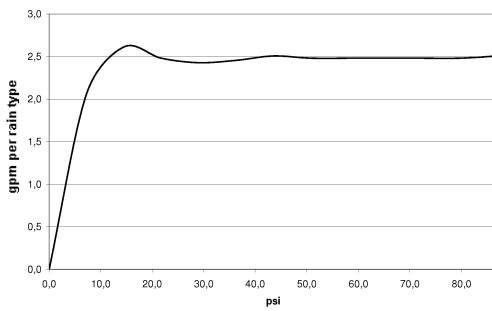


RAIN SKY M Rain panel for recessed ceiling installation manual control - Stainless Steel

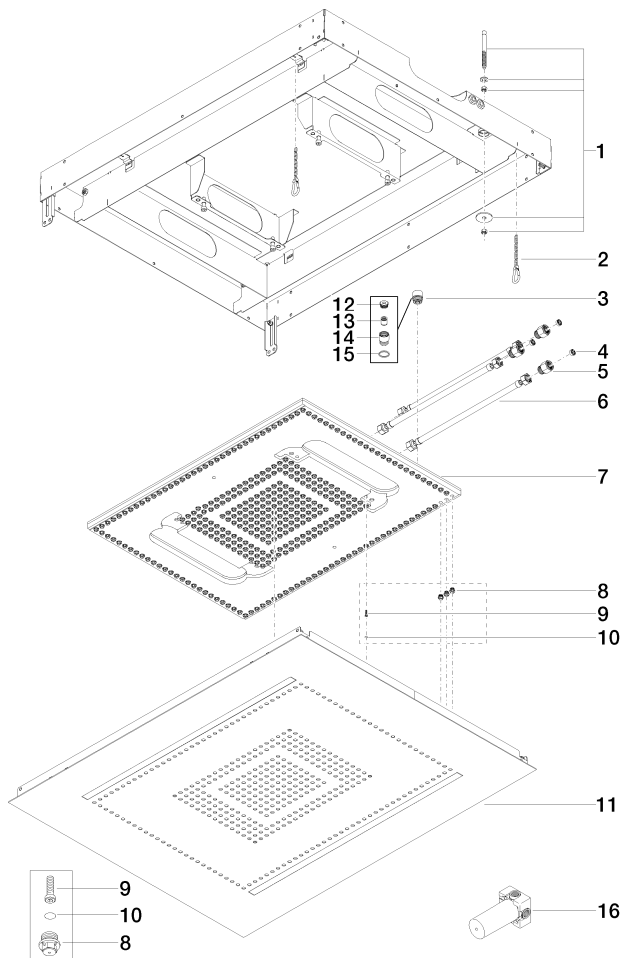
IMO

41 101 979

Flow rate chart



41 101 979



Spare parts list

No.	Item Number	Name	Quantity used	Delivery time
1	04 30 35 006 01 90	fixing set	4	2
2	04 21 50 004 00 90	accessories	2	2
3	90 24 03 027 02 90	nipple	4	2
4	09 23 01 134 90	flow reducer	3	2
5	09 24 03 146 90	nipple	3	2
6	12 502 970 90	High pressure hose 1/2" x 1/2" x 400 mm -	4	2
7	04 12 05 005 10 90	shower	1	2
8	04 29 03 036 00 90	insert	365	60
9	09 30 30 047 90	screw	4	2
10	09 31 20 036 90	plug	4	2
11	04 11 02 113 03-85	cover	1	30
12	09 24 04 112 10 90	nipple	4	2
13	09 23 01 042 90	insert	4	2
14	09 24 03 027 90	nipple	4	2
15	09 14 20 025 90	seal	4	2
16	35 104 970-90 0010	Concealed three-way diverter -	1	-

Spare part can no longer be ordered, please order the replacement item

35203970-900010

Concealed three-way diverter -