






EDITION PRO Tissue holder without cover - Matte Black

83 500 626



- width 150mm
- height 95 mm
- rosette Ø 41 mm
- 38mm projection

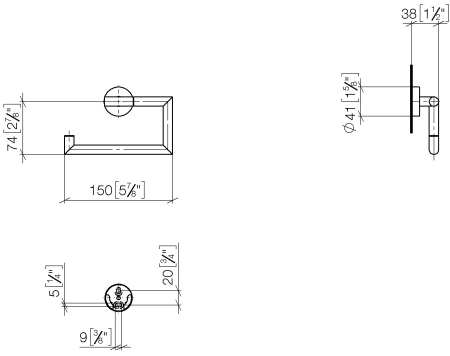
	Matte Black	83 500 626-33
	Chrome	83 500 626-00
	Brushed Chrome	83 500 626-93



EDITION PRO Tissue holder without cover - Matte Black

83 500 626

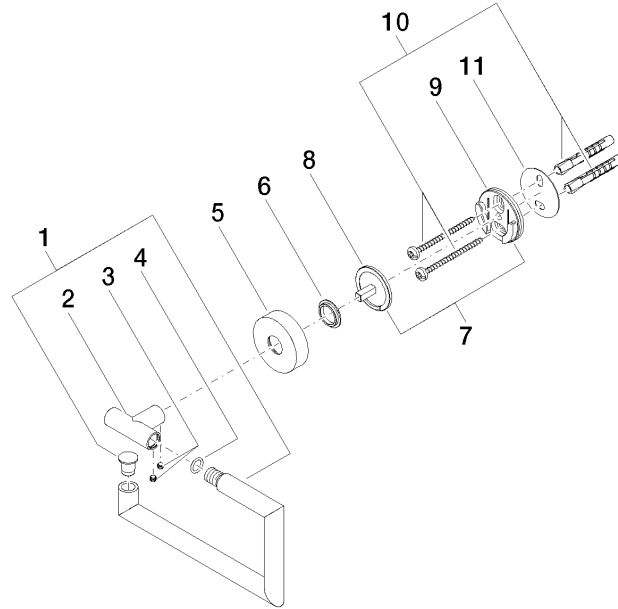
mm [inches]



EDITION PRO Tissue holder without cover - Matte Black

83 500 626

Parts for other
finishes can be found
here: [Chrome](#)





EDITION PRO Tissue holder without cover - Matte Black

83 500 626

Spare parts list

No.	Item Number	Name	Quantity used	Delivery time
	90 28 22 626 00-33	holder	11	30