

ST 010 100 3671



- 165mm projection
- fixed spout
- rectangular, air-enriched flow
- height of mixer 220 mm
- height up to aerator 176 mm
- hole diameter 35 mm
- 2x screw-in M 10 x 1 pressure hose, leak-tested
- 1/2" connection
- max. flow 4.6 l/min
- lead-free
- automatic hygiene flush
- suitable for thermal disinfection
- adjustable follow-up time
- high-frequency sensors with self-calibration
- magnetic valve
- temperature setting via thermostat
- 100-240 V AC / 12 V DC, 50-60 Hz, 18 W power supply unit, incl. country-specific adapter set

Individual components of this set

You need the following components for this set



1x 42 765 970 90



1x 13 716 671-00 0010



IMO Basin mixer without pop-up waste with temperature setting - Chrome

IMO

ST 010 100 3671

ST 010 100 3671



Fits: IMO, LULU, MADISON, MEM, TARA, CL.1, LISSÉ, VAIA, META, CYO

- automatic hygiene flush
- suitable for thermal disinfection
- adjustable follow-up time
- high-frequency sensors with self-calibration
- magnetic valve
- temperature setting via thermostat
- 100-240 V AC / 12 V DC, 50-60 Hz, 18 W power supply unit, incl. country-specific adapter set
- WRAS 1906116

Cannot be combined with basins in conducting materials (e.g. steel, river stone).

Cannot be combined with basins that have a closing drain.

ATTENTION: Separate terms and conditions for electronic articles are applicable.

Cannot be combined with basins in conducting materials (e.g. steel, river stone).

Cannot be combined with basins that have a closing drain.

ATTENTION: Separate terms and conditions for electronic articles are applicable.

Required miscellaneous



eSET Touchfree Basin mixer with temperature setting for combining with wall-mounted fittings - 35 741 970-90 0010
 ● max. recess depth 125 mm
 ● min. recess depth 90 mm

Recommended miscellaneous

Extension for Touchfree 500 mm - 12 765 970 90



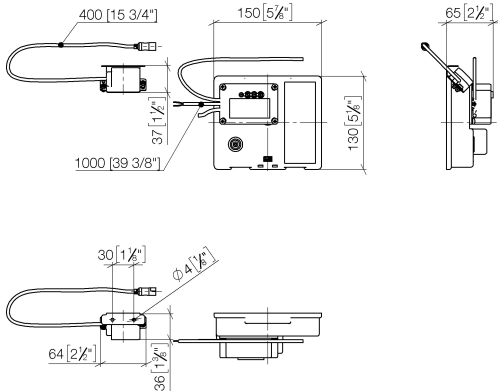
Required miscellaneous



eSET Touchfree Basin mixer with temperature setting for combining with free-standing fittings - 35 740 970-90 0010

ST 010 100 3671

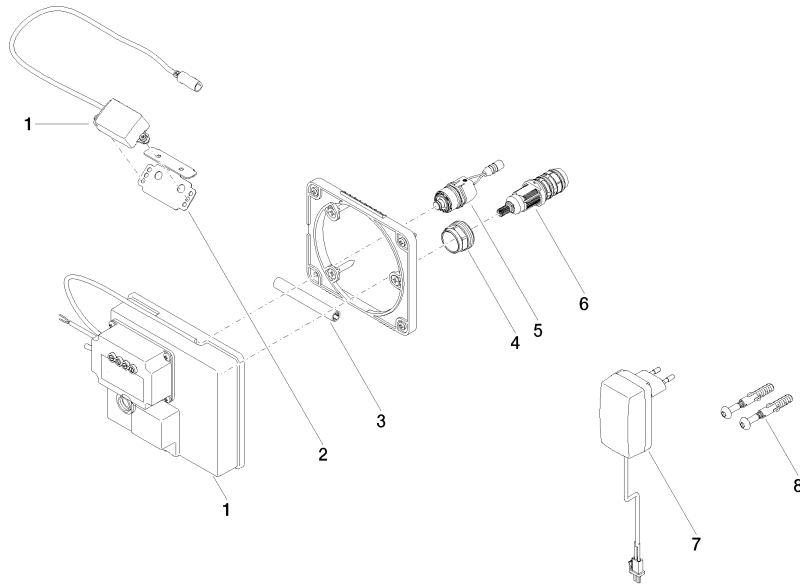
mm [inches]



Certificates

LGA_29120.	WRAS_1906116.	IAPMO_EGS.	CE000001_eSet_Tou chfree_20171206_D E_signed.	CE000002_eSet_Tou chfree_20171206_E N_signed.
LGA_29119.				

ST 010 100 3671



Spare parts list

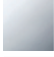

No.	Item Number	Name	Quantity used	Delivery time
1	90 10 01 177 00 90	electronic accessories	1	2
2	90 17 20 199 00 90	holder	1	2
3	90 23 01 124 00 90	sleeve	1	2
4	09 23 10 129 90	nut	1	2
5	04 30 50 079 00 90	valve	1	2
6	90 15 02 013 00 90	cartridge	1	2
7	04 10 01 246 00 90	electronic accessories	1	2
8	04 30 31 024 01 90	fixing set	1	2

ST 010 100 3671



- 165mm projection
- fixed spout
- rectangular, air-enriched flow
- height of mixer 220 mm
- height up to aerator 176 mm
- hole diameter 35 mm
- rosette 60 x 60 mm
- 2x screw-in M 10 x 1 pressure hose, leak-tested
- 1" connection
- max. flow 4.6 l/min
- lead-free
- This product can help a building meet the requirements of Green Building Rating Systems, e.g. LEED®, BREEAM®, DGNB

For Touchfree control please order eSet Touchfree WITH or WITHOUT temperature adjustment

	Chrome	13 716 671-00 0010
	Brushed Chrome	13 716 671-93 0010



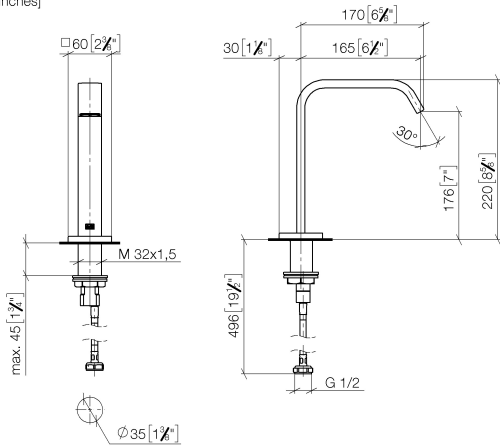
IMO Basin mixer without pop-up waste with temperature setting - Chrome

IMO

ST 010 100 3671

ST 010 100 3671

mm [inches]



Flow rate chart

