

SYMETRICS Shower set - Brushed Chrome

IMO

ST 050 204 7980



Fits: IMO, MEM, CL.1, CYO

- slide bar
- Pipe diameter 18 mm
- rosette 60 x 60 mm
- gauge 800 mm
- metal shower hose 1750mm with integrated anti-twist protection
- shower hose connector 3/8"
- Four settings: COMPACT RAIN, COMPACT SOFT FLOW, COMPACT AQUAPRESSURE FLOW, COMPACT CASCADE, max. flow rate 6.8 l/min (at 3 bar)
- spray head Ø 120mm

	Brushed Chrome	ST 050 204 7980-93 0010
	Chrome	ST 050 204 7980-00 0010
	Brushed Platinum	ST 050 204 7980-06 0010
	Platinum	ST 050 204 7980-08 0010
	Dark Chrome	ST 050 204 7980-19 0010
	Brushed Light Gold	ST 050 204 7980-27 0010
	Brushed Durabrass (23kt Gold)	ST 050 204 7980-28 0010
	Matte Black	ST 050 204 7980-33 0010
	Brushed Champagne (22kt Gold)	ST 050 204 7980-46 0010
	Champagne (22kt Gold)	ST 050 204 7980-47 0010
	Brushed Dark Platinum	ST 050 204 7980-99 0010

Individual components of this set

You need the following components for this set



1x 26 413 980-93



1x 28 012 979-93 0010



SYMETRICS Shower set - Brushed Chrome

IMO

ST 050 204 7980

ST 050 204 7980



Fits: IMO, MEM, CL.1, CYO

- slide bar
- Pipe diameter 18 mm
- rosette 60 x 60 mm
- gauge 800 mm
- metal shower hose 1750mm with integrated anti-twist protection
- shower hose connector 3/8"
- WRAS 2009048

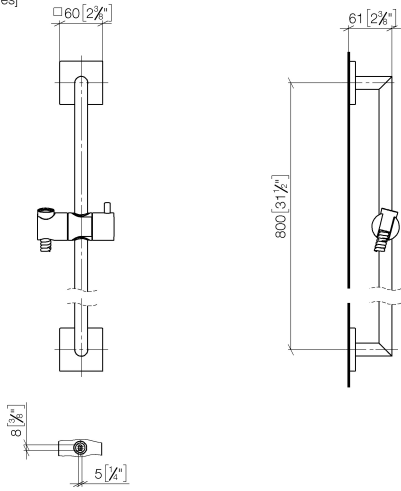
This article does not include a hand shower!

NOTE: Hand shower sold separately. Please see hand shower options under the miscellaneous articles section of each series.

	Brushed Chrome	26 413 980-93
	Chrome	26 413 980-00
	Brushed Platinum	26 413 980-06
	Platinum	26 413 980-08
	Dark Chrome	26 413 980-19
	Brushed Light Gold	26 413 980-27
	Brushed Durabross (23kt Gold)	26 413 980-28
	Matte Black	26 413 980-33
	Brushed Champagne (22kt Gold)	26 413 980-46
	Champagne (22kt Gold)	26 413 980-47
	Brushed Dark Platinum	26 413 980-99

ST 050 204 7980

mm [inches]

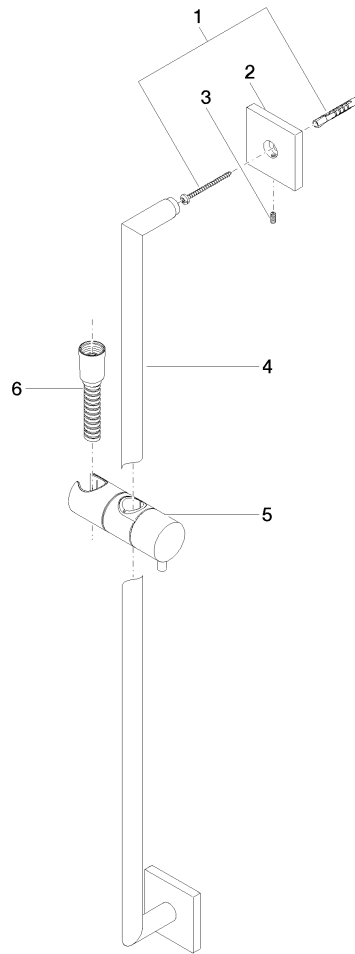


Certificates

WRAS_2009048. ACS_20 ACC LY 738. IAPMO_4976 (2).

ST 050 204 7980

Parts for other finishes can be found here: [Chrome](#)



Spare parts list

No.	Item Number	Name	Quantity used	Delivery time
1	05 30 31 025 00 90	fixing set	2	2
2	08 17 98 507-93	holder	2	20
3	09 31 11 061 90	pin	2	2
4	05 28 22 590 01-93	bar	1	20
5	12 580 970-93	Slide unit - Brushed Chrome	1	20
6	28 322 970-93	Metal shower hose 1/2" x 3/8" x 1750 mm - Brushed Chrome	1	20

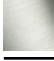
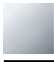

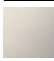









ST 050 204 7980



Fits: IMO, LULU, MADISON, MEM, TARA, CL.1, LISSÉ, VAIA, META, CYO

- Four settings: COMPACT RAIN, COMPACT SOFT FLOW, COMPACT AQUAPRESSURE FLOW, COMPACT CASCADE, max. flow rate 6.8 l/min (at 3 bar)
- with anti-scale system
- spray head Ø 120mm
- 1/2" connection
- This product reduces water consumption by % (compared to requirements of EPAAct '92)
- This product can contribute to Water Use Reduction in LEED® Green Building Rating
- This product can help a building meet the requirements of Green Building Rating Systems, e.g. LEED®, BREEAM®, DGNB

Intrinsic protection against back flow.

	Brushed Chrome	28 012 979-93 0010
	Chrome	28 012 979-00 0010
	Brushed Platinum	28 012 979-06 0010
	Platinum	28 012 979-08 0010
	Dark Chrome	28 012 979-19 0010
	Light Gold	28 012 979-26 0010
	Brushed Light Gold	28 012 979-27 0010
	Brushed Durabrass (23kt Gold)	28 012 979-28 0010
	Matte Black	28 012 979-33 0010
	Brushed Bronze	28 012 979-42 0010
	Brushed Champagne (22kt Gold)	28 012 979-46 0010
	Champagne (22kt Gold)	28 012 979-47 0010
	Brushed Dark Platinum	28 012 979-99 0010



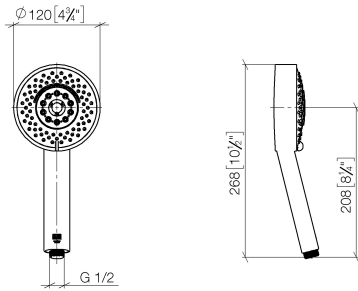
SYMETRICS Shower set - Brushed Chrome

IMO

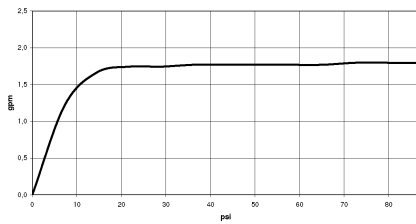
ST 050 204 7980

ST 050 204 7980

mm [inches]



Flow rate chart



Codes & Standards

ASME A112.18.1/CSA B125.1	California Energy Commission (CEC)
---------------------------------	--

Certificates

LGA_29980. IAPMO_4976 (2).



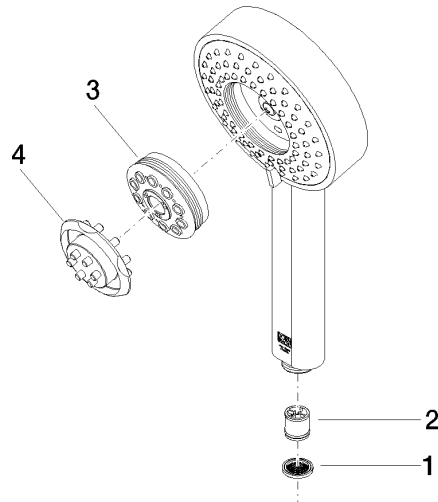
SYMETRICS Shower set - Brushed Chrome

IMO

ST 050 204 7980

ST 050 204 7980

Parts for other finishes can be found here: [Chrome](#)



Spare parts list

No.	Item Number	Name	Quantity used	Delivery time
1	09 23 01 039 90	sieve	1	2
2	09 23 01 166 90	flow reducer	1	2
3	04 12 11 071 00 90	shower	1	2
4	09 30 09 022 90	key	1	2