







MEM Two-hole mixer with individual rosettes with profi spray set - Brushed Chrome

MEM

ST 110 100 4682



- 241mm projection
- pivotable spout 360°
- Optional swivel limiter available with swivel limiter set 12 820 970 90
- air-enriched flow and spray flow
- height of mixer 357 mm
- test
- height up to aerator 215 mm
- individual rosette 60 x 60 mm
- hole diameter spout 35 mm
- single-lever mixer hole diameter 35 mm
- profi spray hole diameter 30mm
- 2 x pressure hose with 3/8" cap nut
- automatic spout/shower diverter
- sprayface with anti-scaling system
- max. flow 5.7 l/min at 3 bar flow pressure
- suspended spray with stainless steel spring (can be pivoted and locked)
- lead-free
- This product can help a building meet the requirements of Green Building Rating Systems, e.g. LEED®, BREEAM®, DGNB

	Brushed Chrome	ST 110 100 4682-93 0010
	Chrome	ST 110 100 4682-00 0010
	Brushed Platinum	ST 110 100 4682-06 0010
	Platinum	ST 110 100 4682-08 0010
	Dark Chrome	ST 110 100 4682-19 0010
	Brushed Dark Platinum	ST 110 100 4682-99 0010

Individual components of this set

You need the following components for this set



1x 27 799 970-93



1x 32 815 682-93 0010



MEM Two-hole mixer with individual rosettes with profi spray set - Brushed
Chrome

MEM

ST 110 100 4682

MEM Two-hole mixer with individual rosettes with profi spray set - Brushed Chrome

MEM

ST 110 100 4682



- spray flow
- automatic diverter for spout/Profi spray set
- height of mixer 665 mm
- individual rosette diameter 55mm
- profi spray hole diameter 30mm
- sprayface with anti-scaling system
- suspended spray with stainless steel spring (can be pivoted and locked)
- lead-free


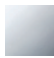
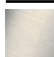



Can only be combined with 32815682, 33826861, 32815861, 33836888, 32816888, 20816892, 33836875, 32815875.

Intrinsic protection against back flow.

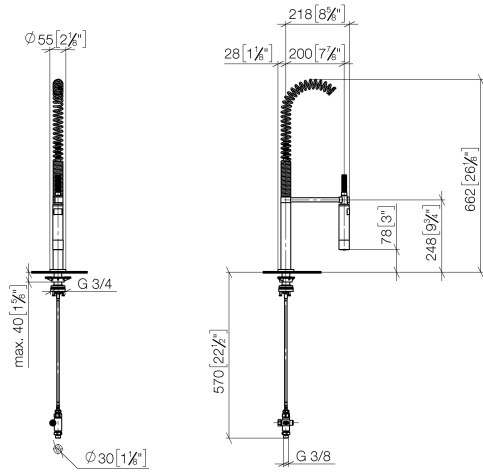
Operating unit can be positioned freely.

Button has to be pressed while using.

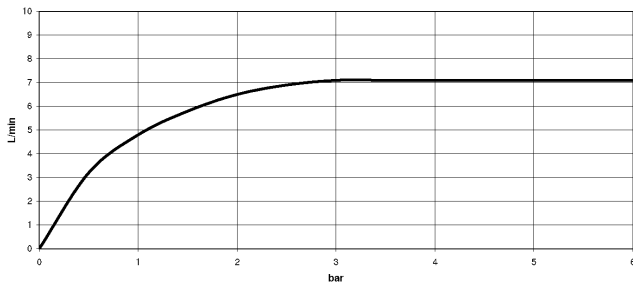
The profi spray can be installed either with or without a rosette

	Brushed Chrome	27 799 970-93
	Chrome	27 799 970-00
	Brushed Platinum	27 799 970-06
	Platinum	27 799 970-08
	Dark Chrome	27 799 970-19
	Brushed Dark Platinum	27 799 970-99

ST 110 100 4682
mm [inches]
1:10



Flow rate chart



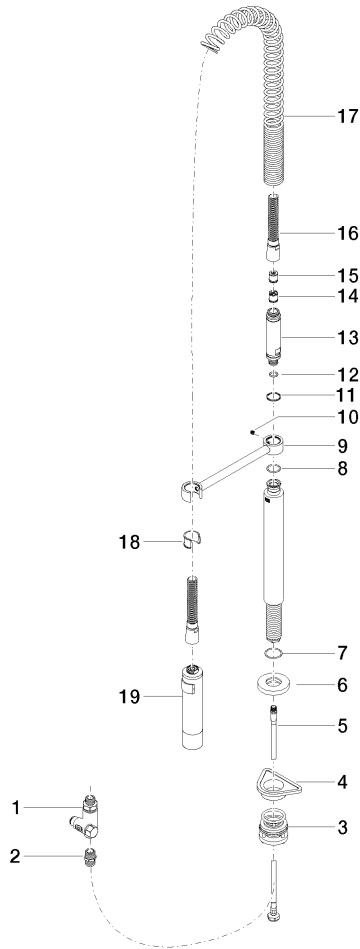
Certificates

LGA_38647.

Belgaqua_24-005-
27_3.

MEM Two-hole mixer with individual rosettes with profi spray set - Brushed Chrome

ST 110 100 46R2
Parts for other finishes can be found here: Chrome



- 241mm projection
- pivotable spout 360°
- Optional swivel limiter available with swivel limiter set 12 820 970 90
- air-enriched flow
- height of mixer 357 mm
- height up to aerator 215 mm
- individual rosette 60 x 60 mm
- hole diameter spout 35 mm
- single-lever mixer hole diameter 35 mm
- 2 x pressure hose with 3/8" cap nut
- max. flow 5.7 l/min at 3 bar flow pressure
- lead-free
- This product can help a building meet the requirements of Green Building Rating Systems, e.g. LEED®, BREEAM®, DGNB

Operating unit can be positioned freely.

	Brushed Chrome	32 815 682-93 0010
	Chrome	32 815 682-00 0010
	Brushed Platinum	32 815 682-06 0010
	Platinum	32 815 682-08 0010
	Durabress (23kt Gold)	32 815 682-09 0010
	Dark Chrome	32 815 682-19 0010
	Brushed Durabress (23kt Gold)	32 815 682-28 0010
	Matte Black	32 815 682-33 0010
	Brushed Champagne (22kt Gold)	32 815 682-46 0010
	Champagne (22kt Gold)	32 815 682-47 0010
	Brushed Dark Platinum	32 815 682-99 0010



MEM Two-hole mixer with individual rosettes with profi spray set - Brushed
Chrome

MEM

ST 110 100 4682

MEM Two-hole mixer with individual rosettes with profi spray set - Brushed
Chrome

MEM

ST 110 100 4682

Recommended miscellaneous

 **Swivel limitation set -** 12 820 970 90

Recommended miscellaneous

 **AIR SWITCH Control button -
Brushed Chrome** 10 713 970-93

Recommended miscellaneous

 **Dispenser with rosette - Brushed
Chrome** 82 444 970-93



MEM Two-hole mixer with individual rosettes with profi spray set - Brushed
Chrome

MEM

ST 110 100 4682

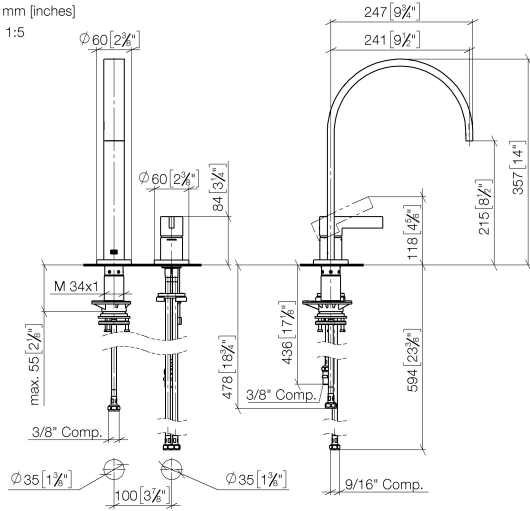
MEM Two-hole mixer with individual rosettes with profi spray set - Brushed Chrome

MEM

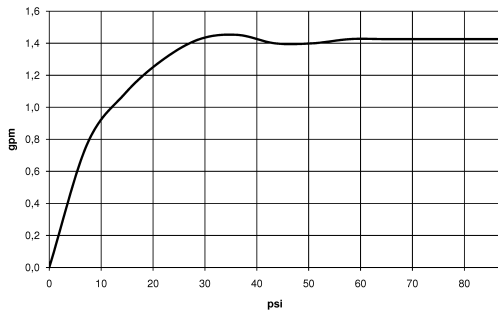
ST 110 100 4682

mm [inches]

1:5



Flow rate chart



Codes & Standards

California Energy
Commission
(CEC)

