

ST 110 101 1680



- 235mm projection
- pivotable spout 360°
- air-enriched flow and spray flow
- automatic spout/shower diverter
- height of mixer 345 mm
- height up to aerator 319 mm
- individual rosette 55 x 55 mm
- hole diameter spout 35 mm
- single-lever mixer hole diameter 44 mm
- hole diameter rinsing spray 32mm
- 2 x pressure hose with 3/8" cap nut
- fabric braided hose 1500 mm
- sprayface with anti-scaling system
- max. flow 5.7 l/min at 3 bar flow pressure
- lead-free
- This product can help a building meet the requirements of Green Building Rating Systems, e.g. LEED®, BREEAM®, DGNB

	Chrome	ST 110 101 1680-00 0010
	Brushed Platinum	ST 110 101 1680-06 0010
	Platinum	ST 110 101 1680-08 0010
	Dark Chrome	ST 110 101 1680-19 0010
	Brushed Durabronze (23kt Gold)	ST 110 101 1680-28 0010
	Brushed Champagne (22kt Gold)	ST 110 101 1680-46 0010
	Champagne (22kt Gold)	ST 110 101 1680-47 0010
	Brushed Dark Platinum	ST 110 101 1680-99 0010

Individual components of this set

You need the following components for this set



1x 32 800 680-00 0010



1x 27 722 970-00



LOT Two-hole mixer with individual rosettes with rinsing spray set - Chrome

LOT

ST 110 101 1680

ST 110 101 1680



- 235mm projection
- pivotable spout 360°
- air-enriched flow
- height of mixer 345 mm
- height up to aerator 319 mm
- individual rosette 55 x 55 mm
- hole diameter spout 35 mm
- single-lever mixer hole diameter 44 mm
- 2 x pressure hose with 3/8" cap nut
- max. flow 5.7 l/min at 3 bar flow pressure
- lead-free
- This product can help a building meet the requirements of Green Building Rating Systems, e.g. LEED®, BREEAM®, DGNB

Operating unit can be positioned freely.

	Chrome	32 800 680-00 0010
	Brushed Platinum	32 800 680-06 0010
	Platinum	32 800 680-08 0010
	Dark Chrome	32 800 680-19 0010
	Brushed Durabronze (23kt Gold)	32 800 680-28 0010
	Brushed Champagne (22kt Gold)	32 800 680-46 0010
	Champagne (22kt Gold)	32 800 680-47 0010
	Brushed Dark Platinum	32 800 680-99 0010

Recommended miscellaneous

AIR SWITCH Control button - Chrome 10 714 970-00

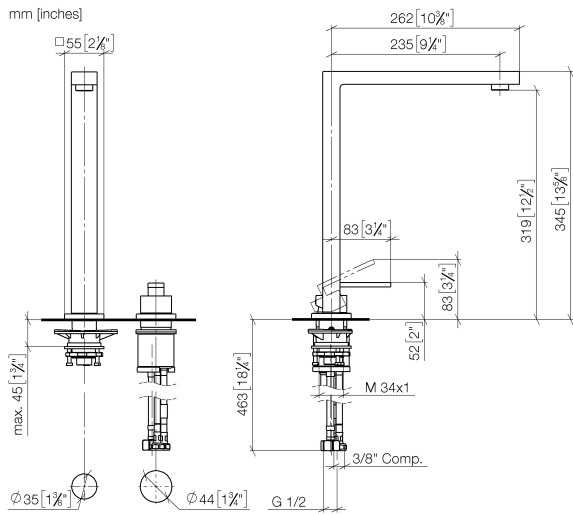


Recommended miscellaneous

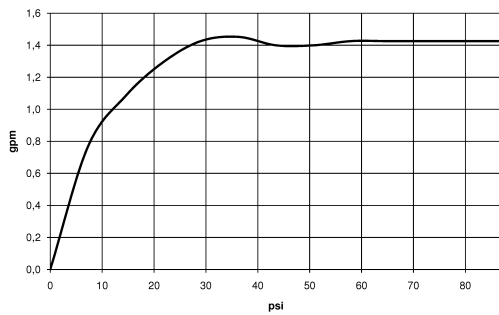
Dispenser with rosette - Chrome 82 439 970-00



ST 110 101 1680



Flow rate chart



Codes & Standards

ADA	ASME A112.18.1/CSA B125.1	California Energy Commission (CEC)	NSF/ANSI 372
NSF/ANSI/CAN 61			

Certificates

IAPMO_N-4976. IAPMO_4976 (3). IAPMO_6397.

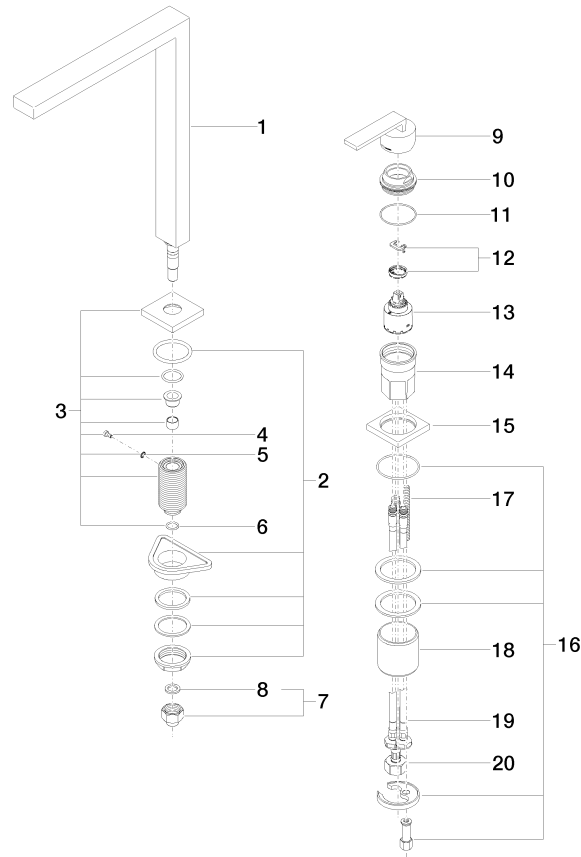


LOT Two-hole mixer with individual rosettes with rinsing spray set - Chrome

LOT

ST 110 101 1680

ST 110 101 1680



Spare parts list

No.	Item Number	Name	Quantity used	Delivery time
1	90 11 06 188 08-00	spout	1	10
2	04 23 10 044 01 90	fixing set	1	2
3	90 27 78 023 00-00	rosette	1	10
4	09 30 30 057 90	screw	1	2
5	09 30 11 028 90	disc	1	2
6	90 14 10 077 00 90	seal	1	2
7	04 24 04 166 10 90	nipple	1	2
8	90 14 20 002 00 90	seal	1	2
9	90 20 78 040 00-00	handle	1	10
10	09 24 04 142-00	nut	1	10
11	09 14 10 108 90	seal	1	2
12	90 28 10 148 00 90	accessories	1	2
13	90 15 05 061 00 90	cartridge	1	60
14	09 30 01 100 10 90	sleeve	1	2
15	09 27 78 007-00	rosette	1	10
16	04 30 11 038 02 90	fixing set	1	2
17	09 31 11 011 90	pin	1	2
18	09 18 40 079 90	sleeve	1	2
19	04 30 04 106 00 90	hose	2	2
20	04 30 04 019 00 90	hose	1	2

ST 110 101 1680



- with angular rosette
- spray flow
- automatic spout/shower diverter
- height of mixer 189 mm
- hole diameter rinsing spray 32mm
- fabric braided hose 1500 mm
- sprayface with anti-scaling system
- lead-free

Can only be combined with 32800680, 32843680.

Intrinsic protection against back flow.

Button has to be pressed while using.

	Chrome	27 722 970-00
	Brushed Platinum	27 722 970-06
	Platinum	27 722 970-08
	Durabrand (23kt Gold)	27 722 970-09
	Dark Chrome	27 722 970-19
	Brushed Durabrand (23kt Gold)	27 722 970-28
	Brushed Champagne (22kt Gold)	27 722 970-46
	Champagne (22kt Gold)	27 722 970-47
	Brushed Chrome	27 722 970-93
	Brushed Dark Platinum	27 722 970-99



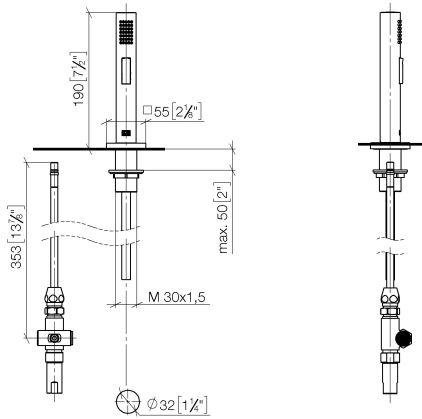
LOT Two-hole mixer with individual rosettes with rinsing spray set - Chrome

LOT

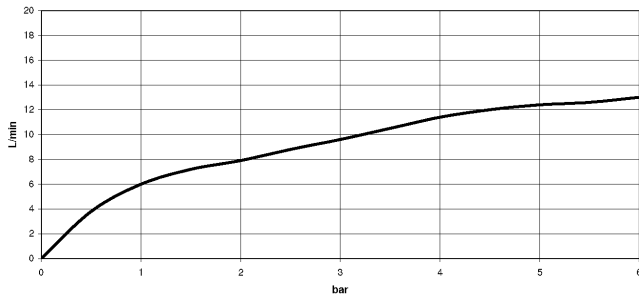
ST 110 101 1680

ST 110 101 1680

mm [inches]



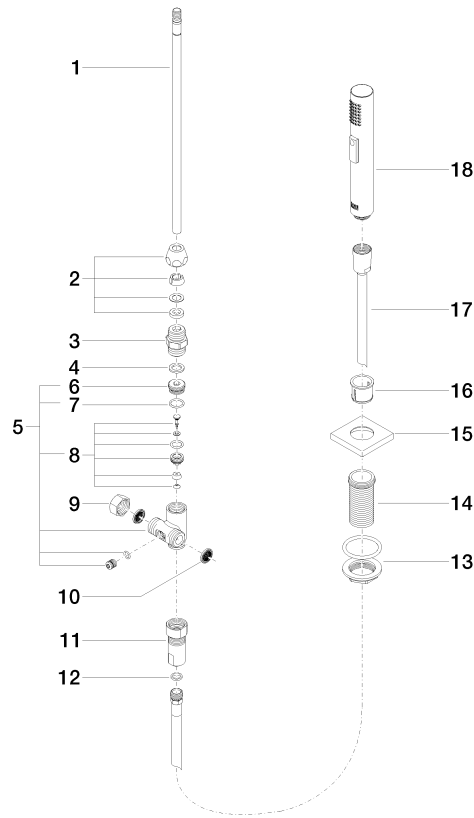
Flow rate chart



Certificates

Belgaqua_21-027-27_3. IAPMO_N-4976 (2). LGA_29572. IAPMO_6397. LGA_38645.

ST 110 101 1680



Spare parts list

No.	Item Number	Name	Quantity used	Delivery time
1	04 24 02 046 01-07	pipe	1	10
2	90 23 30 040 00-00	threaded connector	1	10
3	90 24 03 168 00 90	nipple	1	2
4	90 14 20 002 00 90	seal	1	2
5	90 17 09 046 10 90	diverter	1	2
6	09 24 04 112 10 90	nipple	1	2
7	90 14 10 033 00 90	seal	1	2
8	90 21 10 031 10 90	diverter	1	2
9	04 21 02 006 00 92	cap	1	2
10	09 23 01 039 90	sieve	2	2
11	90 24 03 241 00 90	nipple	1	2
12	90 14 20 019 00 90	seal	1	2
13	04 23 10 032 46 90	fixing set	1	2
14	09 30 01 090-07	sleeve	1	30
16	90 18 40 085 00 90	sleeve	1	2
17	90 30 02 062 00-00	hose	1	2
18	04 12 11 158 00-00	shower	1	10