

ST 110 106 2790



- 234mm projection
- pivotable spout 360°
- spout, end-piece with 20° rotation
- air-enriched flow and spray flow
- automatic spout/shower diverter
- height of mixer 337 mm
- height up to aerator 297 mm
- single-lever mixer hole diameter 35 mm
- hole diameter rinsing spray 32mm
- 2 x pressure hose with 3/8" cap nut
- fabric braided hose 1500 mm
- sprayface with anti-scaling system
- max. flow 5.7 l/min at 3 bar flow pressure
- lead-free
- This product can help a building meet the requirements of Green Building Rating Systems, e.g. LEED®, BREEAM®, DGNB

Individual components of this set

You need the following components for this set

1x 33 826 790-00 0010



1x 27 721 970-00





ELIO Single-lever mixer with rinsing spray set - Chrome

ELIO

ST 110 106 2790

ST 110 106 2790



- 234mm projection
 - pivotable spout 360°
 - spout, end-piece with 20° rotation
 - air-enriched flow
 - height of mixer 337 mm
 - height up to aerator 297 mm
 - single-lever mixer hole diameter 35mm
 - 2x US pressure hose, 3/8"
 - max. flow 5.7 l/min at 3 bar flow pressure
 - lead-free
 - This product can help a building meet the requirements of Green Building Rating Systems, e.g. LEED®, BREEAM®, DGNB
- Single-lever mixer for combining with rinsing/Profi spray only**

Single-lever mixer for combining with rinsing/Profi spray only

Required miscellaneous



Profi spray set - Chrome

27 789 970-00
0010

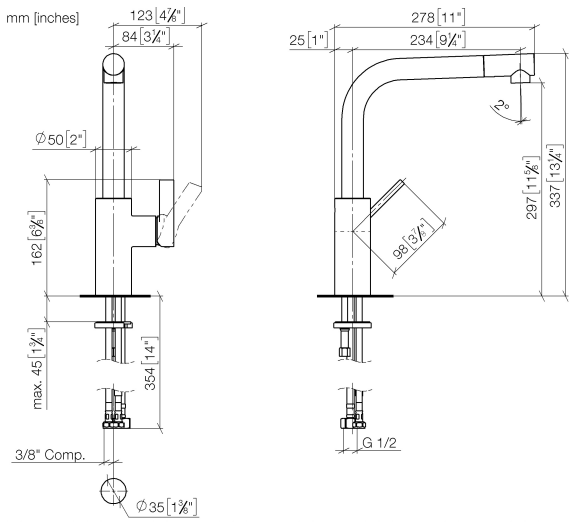
Required miscellaneous



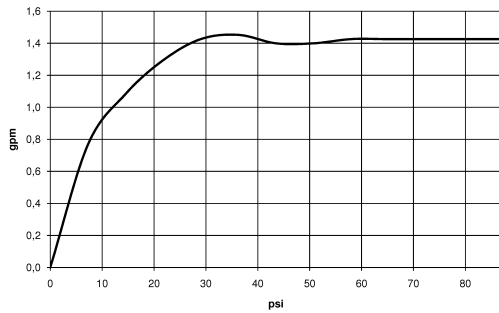
Rinsing spray set - Chrome

27 721 970-00

ST 110 106 2790



Flow rate chart



Codes & Standards

| | | | |
|--------------------|---------------------------------|--|--------------|
| ADA | ASME A112.18.1/CSA B125.1 | California Energy Commission (CEC) | NSF/ANSI 372 |
| NSF/ANSI/CAN 61 | | | |

Certificates

IAPMO_6397 (1).

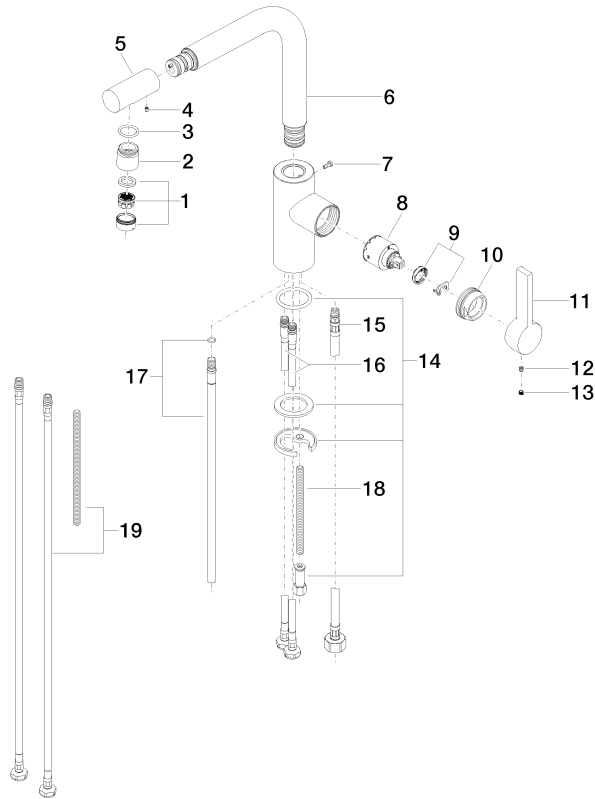


ELIO Single-lever mixer with rinsing spray set - Chrome

ELIO

ST 110 106 2790

ST 110 106 2790



Spare parts list

| No. | Item Number | Name | Quantity used | Delivery time |
|-----|--------------------|-----------------|---------------|---------------|
| 1 | 90 23 01 026 08-00 | aerator | 1 | 10 |
| 2 | 09 24 04 164 10-00 | nipple | 1 | 10 |
| 3 | 09 14 10 100 90 | seal | 1 | 2 |
| 4 | 09 31 11 044 90 | pin | 1 | 2 |
| 5 | 09 24 04 163 10-00 | nipple | 1 | 10 |
| 6 | 90 28 22 185 00-00 | spout | 1 | 10 |
| 7 | 09 30 30 054 90 | screw | 1 | 2 |
| 8 | 90 15 05 061 00 90 | cartridge | 1 | 60 |
| 9 | 90 28 10 148 00 90 | accessories | 1 | 2 |
| 10 | 09 24 04 141-00 | nut | 1 | 10 |
| 11 | 09 20 79 040-00 | handle | 1 | 10 |
| 12 | 90 31 11 030 00 90 | pin | 1 | 2 |
| 13 | 90 31 20 109 00 90 | plug | 1 | 2 |
| 14 | 04 30 11 038 75 90 | fixing set | 1 | 2 |
| 15 | 04 30 04 019 00 90 | hose | 1 | 2 |
| 16 | 04 30 04 106 00 90 | hose | 2 | 2 |
| 17 | 04 24 02 046 01-07 | pipe | 1 | 10 |
| 18 | 09 31 11 091 90 | pin | 1 | 2 |
| 19 | 12 803 970-90 0010 | Extension set - | 1 | 60 |

ST 110 106 2790



Fits: ELIO, TARA, TARA ULTRA

- with round rosette
- spray flow
- automatic spout/shower diverter
- height of mixer 191 mm
- hole diameter rinsing spray 32mm
- fabric braided hose 1500 mm
- sprayface with anti-scaling system
- lead-free

Can only be combined with 33826790, 32800790, 33826888, 32815888, 20815892, 33826875.

Intrinsic protection against back flow.

Button has to be pressed while using.

| | | |
|--|-------------------------------|---------------|
|  | Chrome | 27 721 970-00 |
|  | Brushed Platinum | 27 721 970-06 |
|  | Platinum | 27 721 970-08 |
|  | Durabrand (23kt Gold) | 27 721 970-09 |
|  | Dark Chrome | 27 721 970-19 |
|  | Brushed Durabrand (23kt Gold) | 27 721 970-28 |
|  | Matte Black | 27 721 970-33 |
|  | Brushed Champagne (22kt Gold) | 27 721 970-46 |
|  | Champagne (22kt Gold) | 27 721 970-47 |
|  | Brushed Chrome | 27 721 970-93 |
|  | Brushed Dark Platinum | 27 721 970-99 |



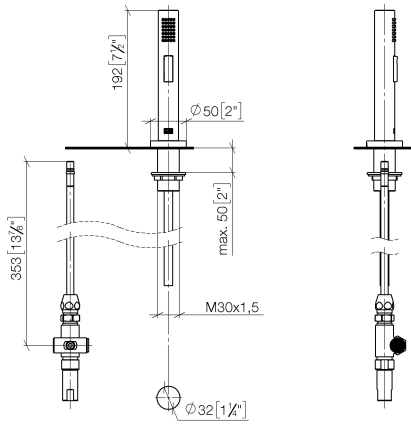
ELIO Single-lever mixer with rinsing spray set - Chrome

ELIO

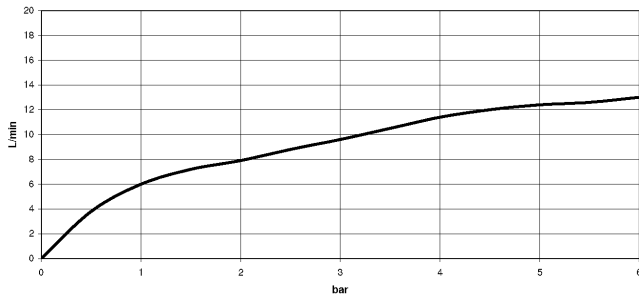
ST 110 106 2790

ST 110 106 2790

mm [inches]



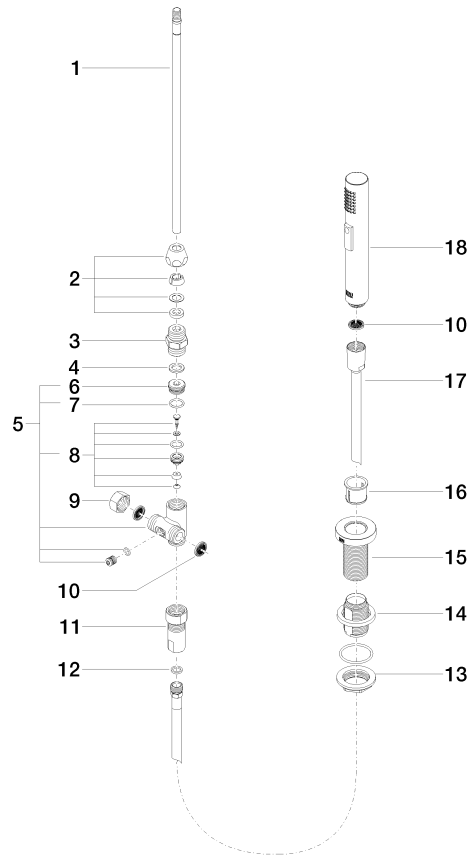
Flow rate chart



Certificates

LGA_18901. Belgaqua_21-027-27_3. IAPMO_N-4976 (2). LGA_29572. IAPMO_6397.

ST 110 106 2790



Spare parts list

| No. | Item Number | Name | Quantity used | Delivery time |
|-----|--------------------|--------------------|---------------|---------------|
| 1 | 04 24 02 046 01-07 | pipe | 1 | 10 |
| 2 | 90 23 30 040 00-00 | threaded connector | 1 | 10 |
| 3 | 90 24 03 168 00 90 | nipple | 1 | 2 |
| 4 | 90 14 20 002 00 90 | seal | 1 | 2 |
| 5 | 90 17 09 046 10 90 | diverter | 1 | 2 |
| 6 | 09 24 04 112 10 90 | nipple | 1 | 2 |
| 7 | 90 14 10 033 00 90 | seal | 1 | 2 |
| 8 | 90 21 10 031 10 90 | diverter | 1 | 2 |
| 9 | 04 21 02 006 00 92 | cap | 1 | 2 |
| 10 | 09 23 01 039 90 | sieve | 2 | 2 |
| 11 | 90 24 03 241 00 90 | nipple | 1 | 2 |
| 12 | 90 14 20 019 00 90 | seal | 1 | 2 |
| 13 | 04 30 11 038 66 90 | fixing set | 1 | 2 |
| 14 | 12 720 970 90 | Extension set - | 1 | 60 |
| 15 | 09 30 01 285-00 | rosette | 1 | 10 |
| 16 | 90 18 40 085 00 90 | sleeve | 1 | 2 |
| 17 | 90 30 02 062 00-00 | hose | 1 | 2 |
| 18 | 04 12 11 158 00-00 | shower | 1 | 10 |