

ST 110 106 4790



- 234mm projection
- pivotable spout 360°
- spout, end-piece with 20° rotation
- air-enriched flow and spray flow
- height of mixer 337 mm
- test
- height up to aerator 297 mm
- single-lever mixer hole diameter 35 mm
- profi spray hole diameter 30mm
- 2 x pressure hose with 3/8" cap nut
- sprayface with anti-scaling system
- automatic spout/shower diverter
- suspended spray with stainless steel spring (can be pivoted and locked)
- max. flow 5.7 l/min at 3 bar flow pressure
- lead-free
- This product can help a building meet the requirements of Green Building Rating Systems, e.g. LEED®, BREEAM®, DGNB

Individual components of this set

You need the following components for this set



1x 27 789 970-93 0010



1x 33 826 790-93 0010



ELIO Single-lever mixer with profi spray set - Brushed Chrome

ELIO

ST 110 106 4790

ST 110 106 4790



Fits: ELIO, TARA, TARA ULTRA


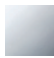
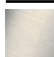



- spray flow
- automatic diverter for spout/Profi spray set
- height of mixer 665 mm
- individual rosette diameter 55mm
- profi spray hole diameter 30mm
- sprayface with anti-scaling system
- suspended spray with stainless steel spring (can be pivoted and locked)
- lead-free

The profi spray can be installed either with or without a rosette

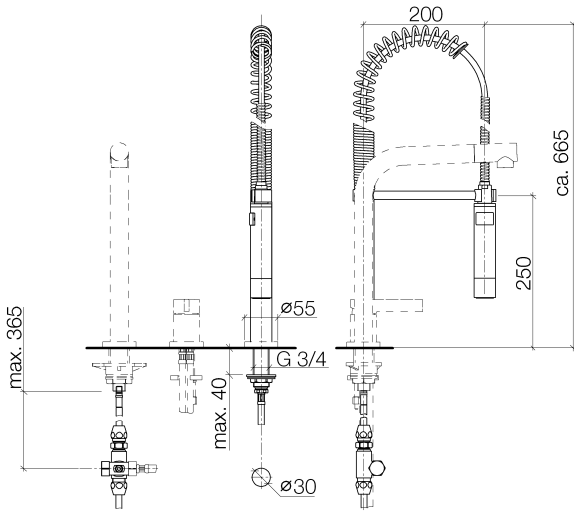
Can only be combined with 32800790, 33826888, 32815888, 20815892, 33826875.

Intrinsic protection against back flow.

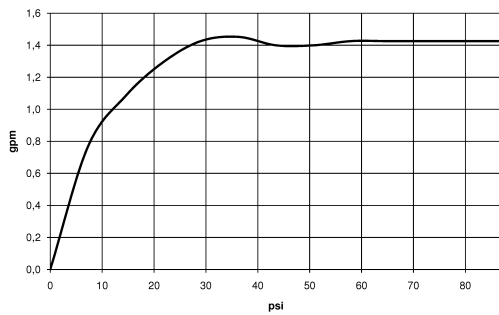
Button has to be pressed while using.

	Brushed Chrome	27 789 970-93 0010
	Chrome	27 789 970-00 0010
	Brushed Platinum	27 789 970-06 0010
	Platinum	27 789 970-08 0010
	Dark Chrome	27 789 970-19 0010
	Brushed Dark Platinum	27 789 970-99 0010

ST 110 106 4790



Flow rate chart



Codes & Standards

NSF/ANSI 372

Certificates

IAPMO_6397.



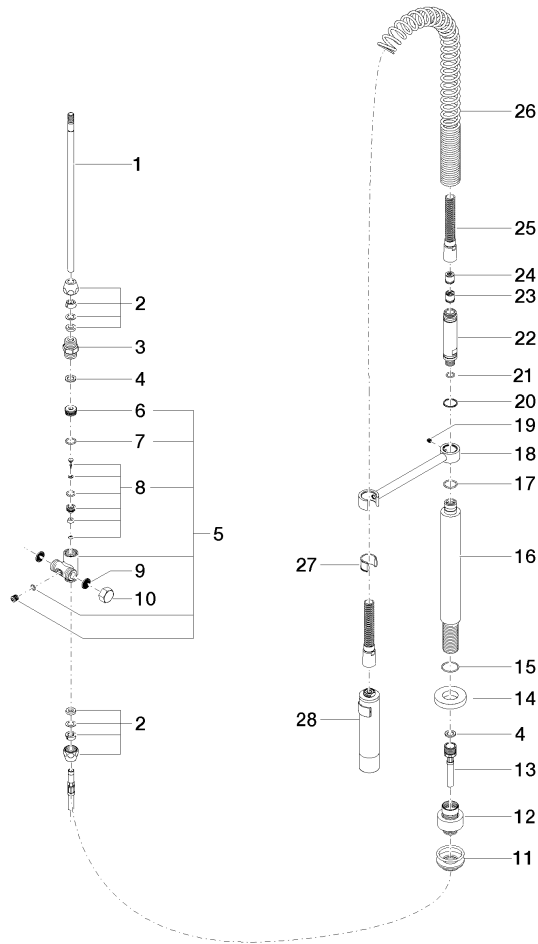
ELIO Single-lever mixer with profi spray set - Brushed Chrome

ELIO

ST 110 106 4790

ST 110 106 4790

Parts for other finishes can be found here: [Chrome](#)



- 234mm projection
 - pivotable spout 360°
 - spout, end-piece with 20° rotation
 - air-enriched flow
 - height of mixer 337 mm
 - height up to aerator 297 mm
 - single-lever mixer hole diameter 35mm
 - 2x US pressure hose, 3/8"
 - max. flow 5.7 l/min at 3 bar flow pressure
 - lead-free
 - This product can help a building meet the requirements of Green Building Rating Systems, e.g. LEED®, BREEAM®, DGNB
- Single-lever mixer for combining with rinsing/Profi spray only**

Single-lever mixer for combining with rinsing/Profi spray only

Required miscellaneous



Profi spray set - Brushed Chrome 27 789 970-93 0010

Required miscellaneous



Rinsing spray set - Brushed Chrome 27 721 970-93

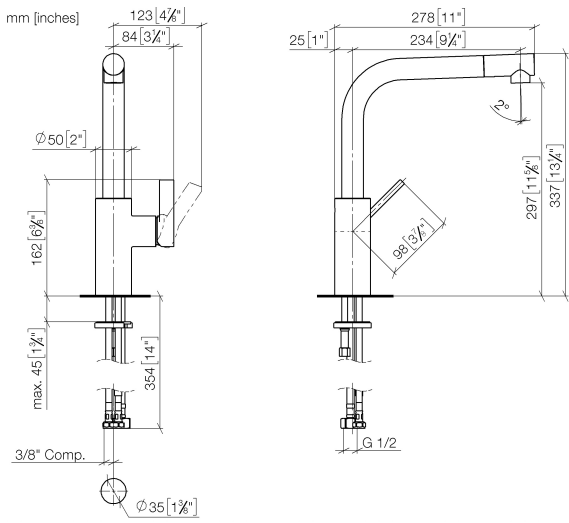


ELIO Single-lever mixer with profi spray set - Brushed Chrome

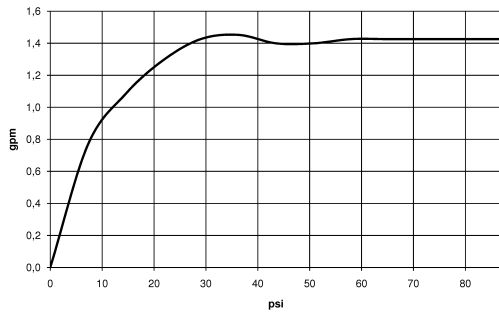
ELIO

ST 110 106 4790

ST 110 106 4790



Flow rate chart



Codes & Standards

ADA	ASME A112.18.1/CSA B125.1	California Energy Commission (CEC)	NSF/ANSI 372
NSF/ANSI/CAN 61			

Certificates

IAPMO_6397 (1).



ELIO Single-lever mixer with profi spray set - Brushed Chrome

ELIO

ST 110 106 4790

