






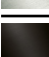
**TARA ULTRA Two-hole mixer with individual rosettes with profi spray set -
Chrome**

TARA ULTRA

ST 110 110 2875



- 241mm projection
- pivotable spout 360°
- Optional swivel limiter available with swivel limiter set 12 820 970 90
- air-enriched flow and spray flow
- height of mixer 373 mm
- test
- height up to aerator 224 mm
- individual rosette 60 x 60 mm
- hole diameter spout 35 mm
- single-lever mixer hole diameter 35 mm
- profi spray hole diameter 30mm
- 2 x pressure hose with 3/8" cap nut
- automatic spout/shower diverter
- sprayface with anti-scaling system
- max. flow 5.7 l/min at 3 bar flow pressure
- suspended spray with stainless steel spring (can be pivoted and locked)
- lead-free
- This product can help a building meet the requirements of Green Building Rating Systems, e.g. LEED®, BREEAM®, DGNB

	Chrome	ST 110 110 2875-00 0010
	Brushed Platinum	ST 110 110 2875-06 0010
	Platinum	ST 110 110 2875-08 0010
	Dark Chrome	ST 110 110 2875-19 0010
	Brushed Chrome	ST 110 110 2875-93 0010
	Brushed Dark Platinum	ST 110 110 2875-99 0010

Individual components of this set

You need the following components for this set



1x 32 815 875-00 0010



1x 27 799 970-00



TARA ULTRA Two-hole mixer with individual rosettes with profi spray set -
Chrome

TARA ULTRA

ST 110 110 2875

TARA ULTRA Two-hole mixer with individual rosettes with profi spray set - Chrome


TARA ULTRA

ST 110 110 2875



- 241mm projection
- pivotable spout 360°
- Optional swivel limiter available with swivel limiter set 12 820 970 90
- air-enriched flow
- height of mixer 373 mm
- height up to aerator 224 mm
- individual rosette 60 x 60 mm
- hole diameter spout 35 mm
- single-lever mixer hole diameter 35 mm
- 2 x pressure hose with 3/8" cap nut
- max. flow 5.7 l/min at 3 bar flow pressure
- lead-free
- This product can help a building meet the requirements of Green Building Rating Systems, e.g. LEED®, BREEAM®, DGNB

Operating unit can be positioned freely.

	Chrome	32 815 875-00 0010
	Brushed Platinum	32 815 875-06 0010
	Platinum	32 815 875-08 0010
	Durabronze (23kt Gold)	32 815 875-09 0010
	Dark Chrome	32 815 875-19 0010
	Brushed Durabronze (23kt Gold)	32 815 875-28 0010
	Matte Black	32 815 875-33 0010
	Brushed Champagne (22kt Gold)	32 815 875-46 0010
	Champagne (22kt Gold)	32 815 875-47 0010
	Brushed Chrome	32 815 875-93 0010
	Brushed Dark Platinum	32 815 875-99 0010

Recommended miscellaneous

	Swivel limitation set -	12 820 970 90
---	--------------------------------	---------------

Recommended miscellaneous

	AIR SWITCH Control button - Chrome	10 713 970-00
---	---	---------------

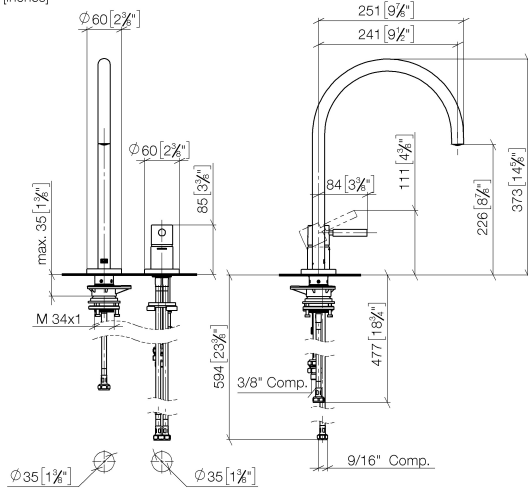
Recommended miscellaneous

	Dispenser with rosette - Chrome	82 444 970-00
---	--	---------------

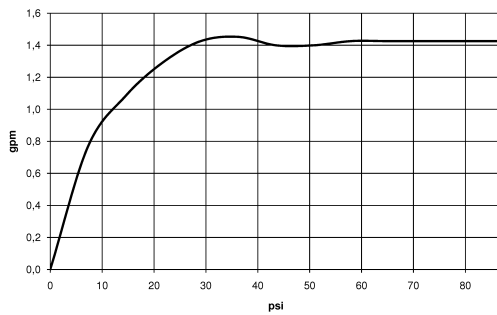
ST 110 110 2R75

mm [inches]

1:5



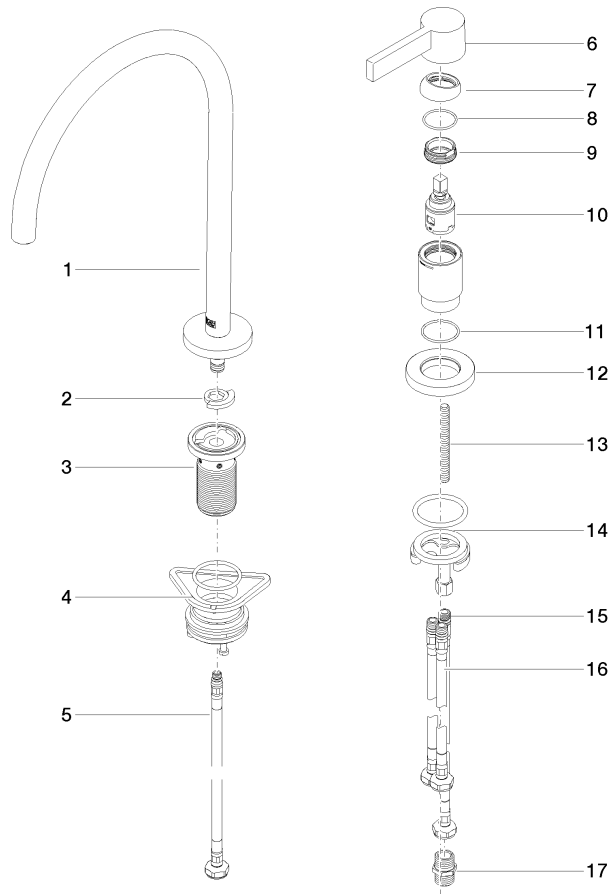
Flow rate chart



Codes & Standards

California Energy
Commission
(CEC)

ST 110 110 2875



Spare parts list

No.	Item Number	Name	Quantity used	Delivery time
1	90 28 22 291 00-00	spout	1	-
Spare part can no longer be ordered, please order the replacement item				
2	12 820 970 90	Swivel limitation set -	1	2
3	90 30 01 299 00 90	shaft	1	2
4	04 23 10 044 08 90	fixing set	1	2
5	04 30 04 100 00 90	hose	1	2
6	90 20 87 003 00-00	handle	1	-
Spare part can no longer be ordered, please order the replacement item				
7	09 28 30 026-00	cover	1	10
8	09 14 10 091 90	seal	1	2
9	09 24 04 266 90	nut	1	2
10	90 15 05 042 00 90	cartridge	1	2
11	09 14 10 110 90	seal	1	2
12	09 27 97 040-00	rosette	1	10
13	09 31 11 011 90	pin	1	2
14	04 30 11 085 97 90	fixing set	1	2
15	04 30 04 104 00 90	hose	1	2
16	04 30 04 105 00 90	hose	2	2
17	90 24 03 250 00 90	nipple	1	2

ST 110 110 2875



- spray flow
- automatic diverter for spout/Profi spray set
- height of mixer 665 mm
- individual rosette diameter 55mm
- profi spray hole diameter 30mm
- sprayface with anti-scaling system
- suspended spray with stainless steel spring (can be pivoted and locked)
- lead-free

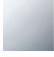
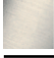




Can only be combined with 32815682, 33826861, 32815861, 33836888, 32816888, 20816892, 33836875, 32815875.

Intrinsic protection against back flow.

Operating unit can be positioned freely.

Button has to be pressed while using.

The profi spray can be installed either with or without a rosette

	Chrome	27 799 970-00
	Brushed Platinum	27 799 970-06
	Platinum	27 799 970-08
	Dark Chrome	27 799 970-19
	Brushed Chrome	27 799 970-93
	Brushed Dark Platinum	27 799 970-99

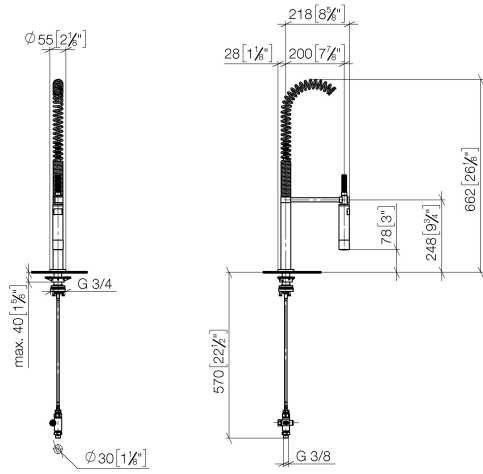


TARA ULTRA Two-hole mixer with individual rosettes with profi spray set -
Chrome

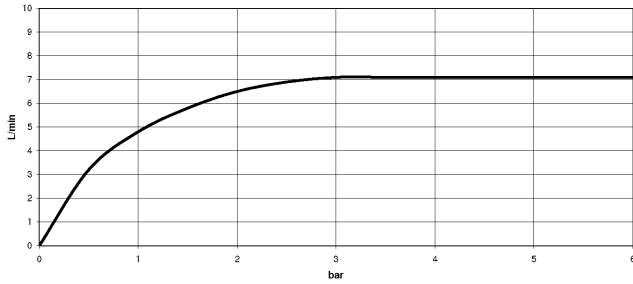
TARA ULTRA

ST 110 110 2875

ST 110 110 2875
mm [inches]
1:10



Flow rate chart

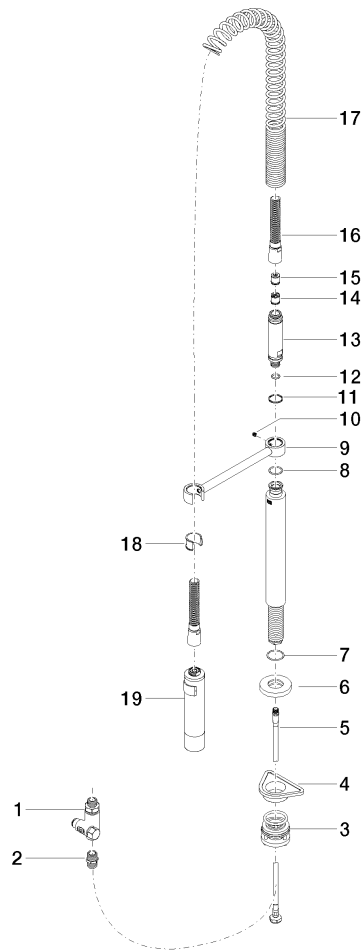


Certificates

LGA_38647.

Belgaqua_24-005-
27_3.

ST 110 110 2875
Parts for other
finishes can be found
here: Brushed
Platinum



Spare parts list

No.	Item Number	Name	Quantity used	Delivery time
1	90 17 09 046 12 90	diverter	1	2
2	90 24 03 250 00 90	nipple	1	2
3	04 23 10 004 03 90	fixing set	1	2
4	09 18 40 090 90	sleeve	1	2
5	04 30 04 104 00 90	hose	1	2
6	90 27 86 000 00-00	rosette	1	-
Spare part can no longer be ordered, please order the replacement item				
7	09 14 10 120 90	seal	1	2
8	09 14 10 031 90	seal	1	2
9	04 17 20 014 00-00	holder	1	10
10	09 31 11 049 90	pin	1	2
11	09 14 15 012 90	ring	1	2
12	09 14 10 003 90	seal	1	2
13	09 30 01 067 10-00	adaptor	1	10
14	90 23 01 141 00 90	back-flow preventer	1	2
15	09 23 01 046 90	back-flow preventer	1	2
16	90 30 02 065 00-00	hose	1	10
17	09 16 02 034 90	spring	1	2
18	90 18 40 035 00 90	sleeve	1	2
19	04 12 11 094 10-00	shower	1	10