

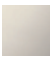





ST 110 112 4888



- 236mm projection
- pivotable spout 360°
- air-enriched flow and spray flow
- height of mixer 374 mm
- test
- height up to aerator 216 mm
- individual rosette 60 x mm
- hole diameter spout 35 mm
- single-lever mixer hole diameter 35 mm
- profi spray hole diameter 30mm
- 2 x pressure hose with 3/8" cap nut
- automatic spout/shower diverter
- sprayface with anti-scaling system
- max. flow 5.7 l/min at 3 bar flow pressure
- suspended spray with stainless steel spring (can be pivoted and locked)
- lead-free
- This product can help a building meet the requirements of Green Building Rating Systems, e.g. LEED®, BREEAM®, DGNB

	Chrome	ST 110 112 4888-00 0010
	Brushed Platinum	ST 110 112 4888-06 0010
	Platinum	ST 110 112 4888-08 0010
	Dark Chrome	ST 110 112 4888-19 0010
	Brushed Chrome	ST 110 112 4888-93 0010
	Brushed Dark Platinum	ST 110 112 4888-99 0010

Individual components of this set

You need the following components for this set



1x 27 789 970-00 0010



1x 32 815 888-00 0010



TARA Two-hole mixer with individual rosettes with profi spray set - Chrome

TARA

ST 110 112 4888

ST 110 112 4888



Fits: ELIO, TARA, TARA ULTRA

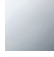
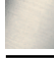




- spray flow
- automatic diverter for spout/Profi spray set
- height of mixer 665 mm
- individual rosette diameter 55mm
- profi spray hole diameter 30mm
- sprayface with anti-scaling system
- suspended spray with stainless steel spring (can be pivoted and locked)
- lead-free

The profi spray can be installed either with or without a rosette

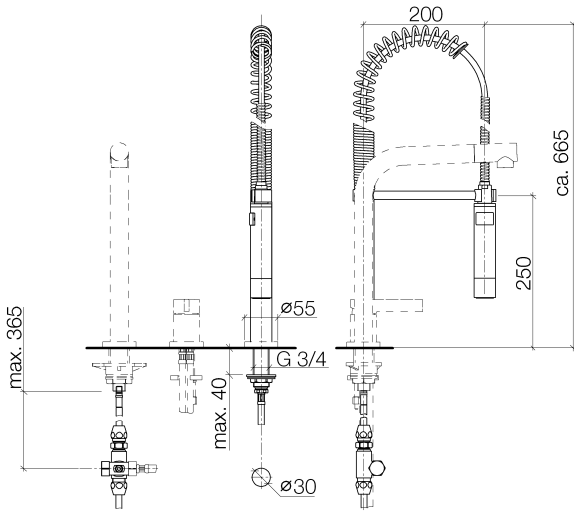
Can only be combined with 32800790, 33826888, 32815888, 20815892, 33826875.

Intrinsic protection against back flow.

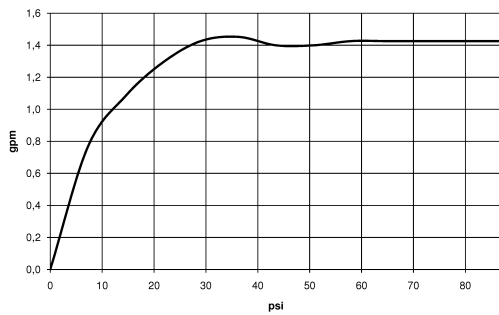
Button has to be pressed while using.

	Chrome	27 789 970-00 0010
	Brushed Platinum	27 789 970-06 0010
	Platinum	27 789 970-08 0010
	Dark Chrome	27 789 970-19 0010
	Brushed Chrome	27 789 970-93 0010
	Brushed Dark Platinum	27 789 970-99 0010

ST 110 112 4888



Flow rate chart



Codes & Standards

NSF/ANSI 372

Certificates

IAPMO_6397.

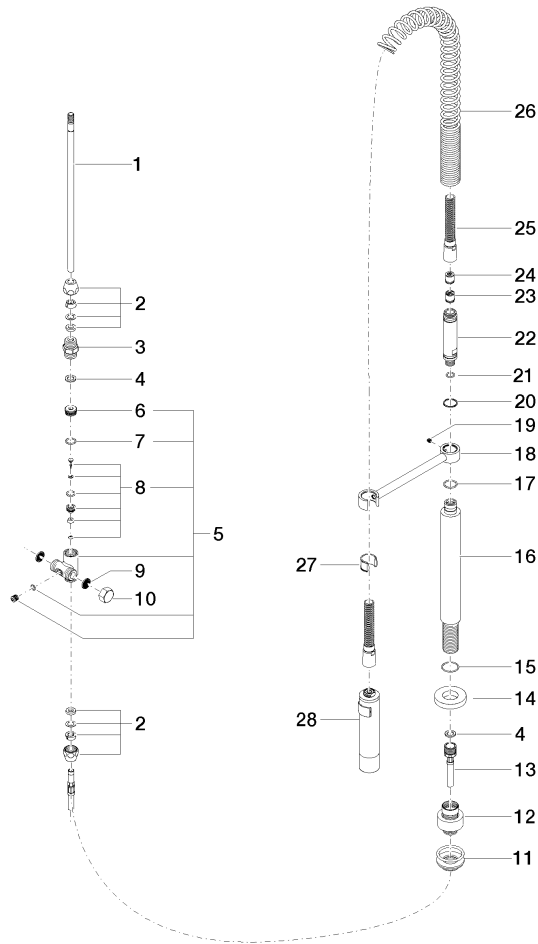


TARA Two-hole mixer with individual rosettes with profi spray set - Chrome

TARA

ST 110 112 4888

ST 110 112 4888



- 236mm projection
- pivotable spout 360°
- air-enriched flow
- height of mixer 374 mm
- height up to aerator 216 mm
- individual rosette 60 x mm
- hole diameter spout 35 mm
- single-lever mixer hole diameter 35 mm
- 2 x pressure hose with 3/8" cap nut
- max. flow 5.7 l/min at 3 bar flow pressure
- lead-free
- This product can help a building meet the requirements of Green Building Rating Systems, e.g. LEED®, BREEAM®, DGNB

Operating unit can be positioned freely.

	Chrome	32 815 888-00 0010
	Brushed Platinum	32 815 888-06 0010
	Platinum	32 815 888-08 0010
	Durabress (23kt Gold)	32 815 888-09 0010
	Dark Chrome	32 815 888-19 0010
	Brushed Durabress (23kt Gold)	32 815 888-28 0010
	Matte Black	32 815 888-33 0010
	Brushed Champagne (22kt Gold)	32 815 888-46 0010
	Champagne (22kt Gold)	32 815 888-47 0010
	Brushed Chrome	32 815 888-93 0010
	Brushed Dark Platinum	32 815 888-99 0010



TARA Two-hole mixer with individual rosettes with profi spray set - Chrome

TARA

ST 110 112 4888

ST 110 112 4888

Recommended miscellaneous



Swivel limitation set -

12 820 970 90

Recommended miscellaneous



**AIR SWITCH Control button -
Chrome**

10 713 970-00

Recommended miscellaneous



Dispenser with rosette - Chrome

82 444 970-00

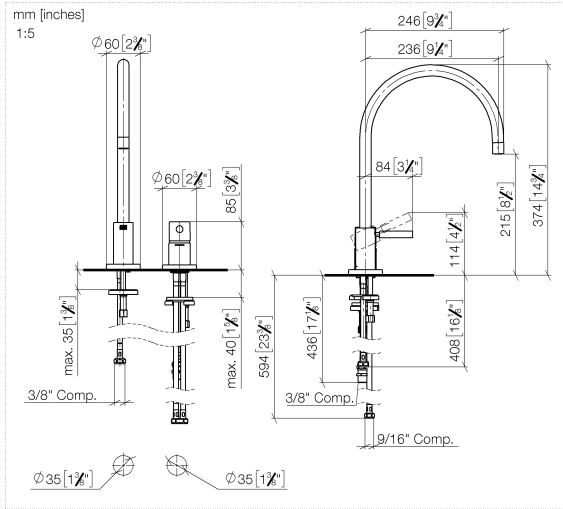


TARA Two-hole mixer with individual rosettes with profi spray set - Chrome

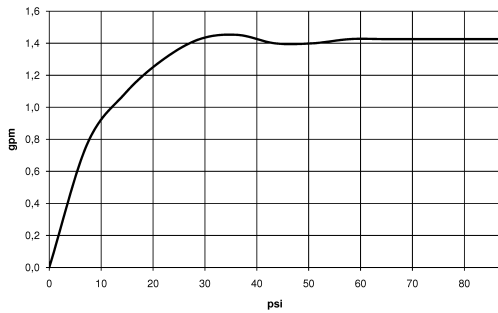
TARA

ST 110 112 4888

ST 110 112 4888



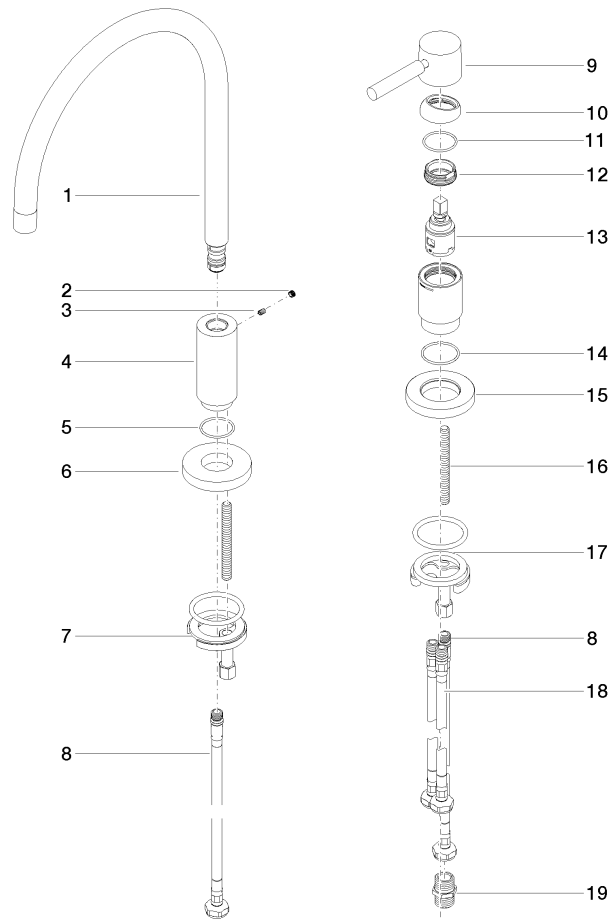
Flow rate chart



Codes & Standards

California Energy
Commission
(CEC)

ST 110 112 4888



Spare parts list

No.	Item Number	Name	Quantity used	Delivery time
1	90 28 22 226 02-00	spout	1	10
2	90 31 20 109 00 90	plug	1	2
3	09 31 11 008 90	pin	1	2
4	09 11 10 062 10-00	connection	1	10
5	09 14 10 120 90	seal	1	2
6	90 28 10 211 00-00	rosette	1	-
Spare part can no longer be ordered, please order the replacement item				
7	04 30 11 038 00 90	fixing set	1	2
8	04 30 04 019 00 90	hose	2	2
9	90 20 66 003 00-00	handle	1	10
10	09 28 30 026-00	cover	1	10
11	09 14 10 091 90	seal	1	2
12	09 24 04 266 90	nut	1	2
13	90 15 05 042 00 90	cartridge	1	2
14	09 14 10 110 90	seal	1	2
15	09 27 97 040-00	rosette	1	10
16	09 31 11 011 90	pin	1	2
17	04 30 11 085 97 90	fixing set	1	2
18	04 30 04 107 00 90	hose	2	2
19	90 24 03 168 00 90	nipple	1	2